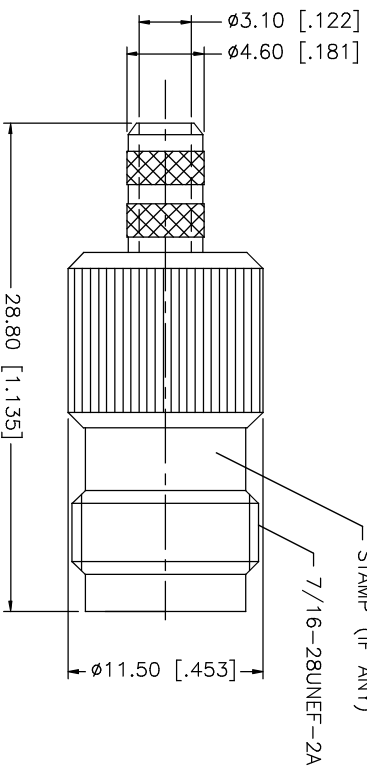
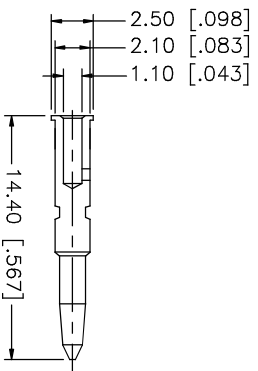
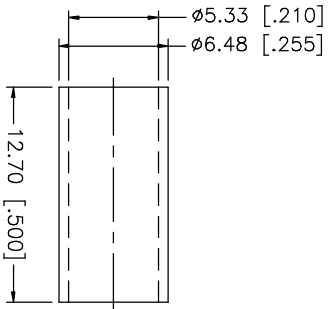
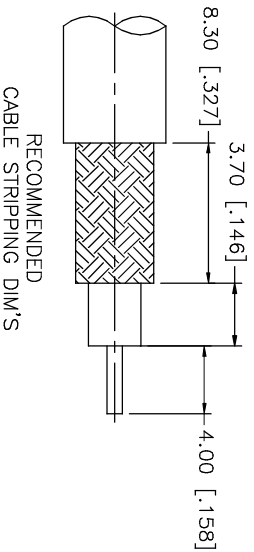


REV.	DATE	DESCRIPTION
A	09/01/98	MODIFY CONTACT I.D.
B	06/05/03	UPDATE DRAWING FORMAT



NOTE:
 1. CRIMPED FERRULE
 HEX CRIMP SIZE .213"
 2. CRIMPED CONTACT PIN
 HEX CRIMP SIZE .068"

REV.	DATE	DESCRIPTION
8		
7		
6		
5		
4		
3		
2		
1		

DESCRIPTION	MATERIAL	FINISH	QTY
1	COPPER	NICKEL	1
2	TEFLON	NATURAL	1
3	BRASS	GOLD	1
4	BRASS	NICKEL	1

UNLESS OTHERWISE SPECIFIED DIMENSIONS ARE IN MILLIMETERS. DIMENSIONS IN [] ARE IN INCHES AND FOR CUSTOMER REFERENCE ONLY.
UNLESS OTHERWISE SPECIFIED TOLERANCES FOR MILLIMETERS ARE: 0.5 - 8mm ± 0.20mm 8 - 30mm ± 0.40mm 30 - 120mm ± 0.50mm
UNLESS OTHERWISE SPECIFIED TOLERANCES FOR INCHES ARE: .020 - .315 = ± 0.007" .315 - 1.180 = ± 0.015" 1.180 - 4.724 = ± 0.020"
DO NOT SCALE DRAWING

APPROVALS	DATE
DRAWN G.R.S.	06/05/03
CHECKED	
ISSUED	

CAD FILE	DWG. NO.	REV.	SIZE	SCALE
C:/122/122122RP.DWG	122122RP.DWG	NC	A	NA

PART DESCRIPTION	PART NO.
TNC CRIMP JACK - REVERSE POLARIZED RG58/U CABLE	122122RP

Amphenol Connex