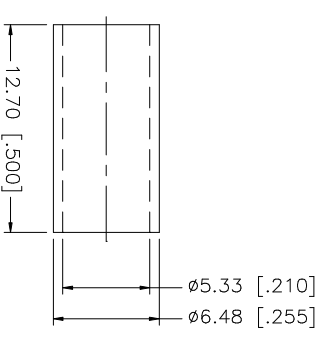
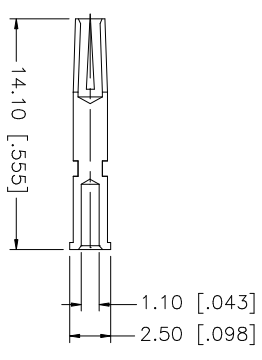
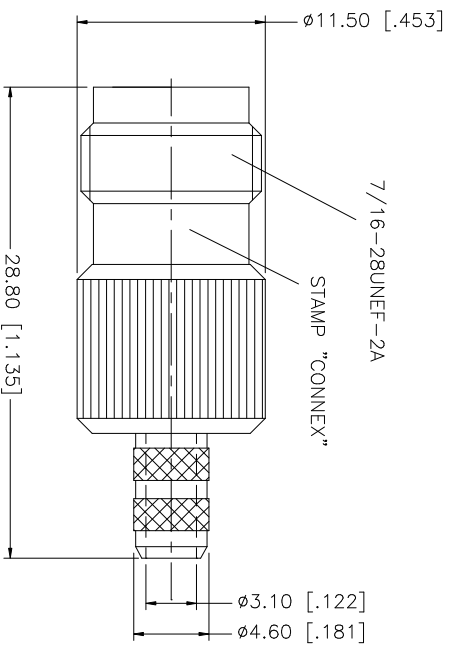
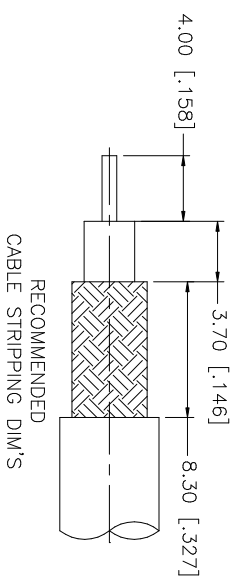


REV.	DATE	DESCRIPTION
NC	09/01/98	INITIAL RELEASE
A	05/01/04	UPDATE DRAWING FORMAT



QTY	FINISH	MATERIAL	DESCRIPTION
1	NICKEL	COPPER	FERRULE
1	NATURAL	PHOS. BRONZE	CONTACT PIN
1	NICKEL	BRASS	BODY

DATE	APPROVALS
05/01/04	G.R.S.

Amphenol Connex

TNC CRIMP JACK

122122

CAD FILE C:/122/122122.DWG

DWG. NO. 122122.DWG

REV. A

SIZE A

SCALE NA

UNLESS OTHERWISE SPECIFIED DIMENSIONS ARE IN MILLIMETERS, DIMENSIONS IN [] ARE IN INCHES AND FOR CUSTOMER REFERENCE ONLY.

UNLESS OTHERWISE SPECIFIED TOLERANCES FOR MILLIMETERS ARE:

0.5 - 8mm ± 0.20mm

8 - 30mm ± 0.40mm

30 - 120mm ± 0.50mm

UNLESS OTHERWISE SPECIFIED TOLERANCES FOR INCHES ARE:

.020 - .315 = ± 0.007"

.315 - 1.180 = ± 0.015"

1.180 - 4.724 = ± 0.020"

DO NOT SCALE DRAWING