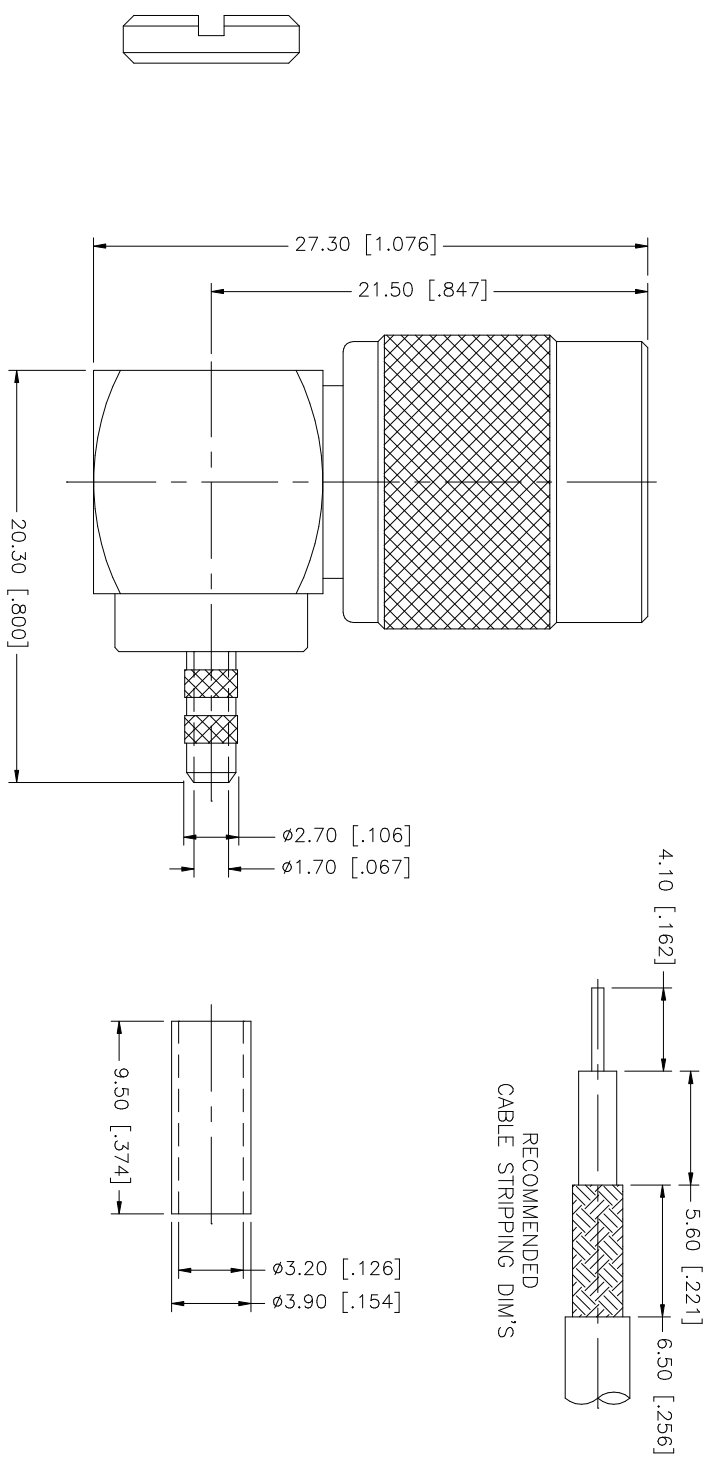


REV.	DATE	DESCRIPTION
A	11/25/03	UPDATE DRAWING FORMAT



NO.	DESCRIPTION	MATERIAL	FINISH	QTY	UNLESS OTHERWISE SPECIFIED DIMENSIONS ARE IN INCHES AND FOR CUSTOMER REFERENCE ONLY.	UNLESS OTHERWISE SPECIFIED DIMENSIONS ARE IN MILLIMETERS AND FOR CUSTOMER REFERENCE ONLY.	UNLESS OTHERWISE SPECIFIED DIMENSIONS ARE IN MILLIMETERS AND FOR CUSTOMER REFERENCE ONLY.	UNLESS OTHERWISE SPECIFIED DIMENSIONS ARE IN MILLIMETERS AND FOR CUSTOMER REFERENCE ONLY.	UNLESS OTHERWISE SPECIFIED DIMENSIONS ARE IN MILLIMETERS AND FOR CUSTOMER REFERENCE ONLY.	UNLESS OTHERWISE SPECIFIED DIMENSIONS ARE IN MILLIMETERS AND FOR CUSTOMER REFERENCE ONLY.
8										
7										
6										
5	NUT	BRASS	NICKEL	1						
4	FERRULE	BRASS	NICKEL	1						
3	CONTACT PIN	BRASS	GOLD	1						
2	INSULATOR	DELIRIN	NATURAL	1						
1	BODY	BRASS	NICKEL	1						
DESCRIPTION					DO NOT SCALE DRAWING					
APPROVALS		DATE		CAD FILE						
DRAWN G.R.S.		11/25/03		C:/122/122148.DWG						
CHECKED				DWG. NO. 122148.DWG						
ISSUED				REV. A						
SHEET 1 OF 1				SIZE A						
PART NO.				SCALE NA						
PART NO. 122148				PART DESCRIPTION						
				TNC R/A CRIMP PLUG						
				(FOR RG174/U, 188A/U, 316/U CABLE)						

Amphenol Connex