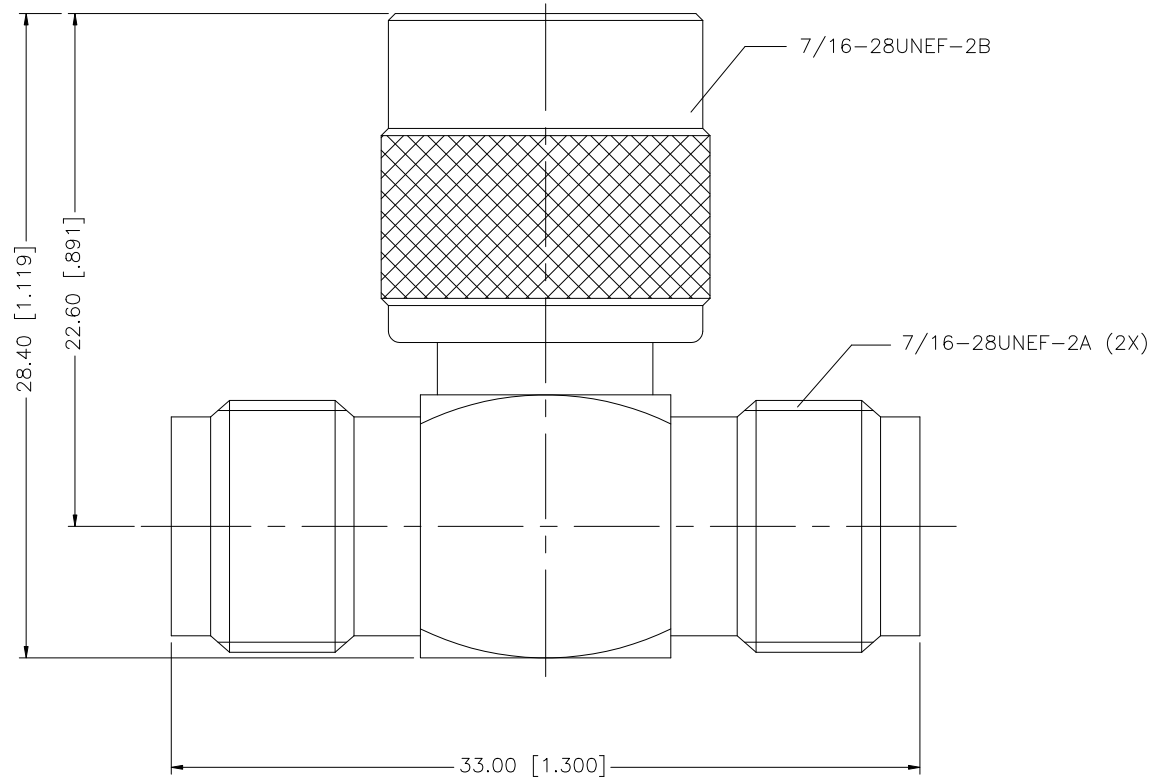


REV.	DATE	ECR NO.	DESCRIPTION
NC	11/25/08	-	INITIAL RELEASE



REV.	DATE	ECR NO.	DESCRIPTION
NC	11/25/08	-	INITIAL RELEASE

8				<small>UNLESS OTHERWISE SPECIFIED DIMENSIONS ARE IN MILLIMETERS. DIMENSIONS IN [] ARE IN INCHES AND FOR CUSTOMER REFERENCE ONLY.</small> <small>UNLESS OTHERWISE SPECIFIED TOLERANCES FOR MILLIMETERS ARE:</small> 0.5 - 8mm ± 0.20mm 8 - 30mm ± 0.40mm 30 - 120mm ± 0.50mm <small>UNLESS OTHERWISE SPECIFIED TOLERANCES FOR INCHES ARE:</small> .020 - .315 = ± 0.007" .315 - 1.180 = ± 0.015" 1.180 - 4.724 = ± 0.020"	APPROVALS	DATE	<h1 style="color: blue;">Amphenol Connex</h1>		
7			DRAWN		GRS	11/25/08			
6			CHECKED						
5	CONTACT PIN	BRASS	GOLD		1				
4	CONTACT PIN	PHOS. BRONZE	GOLD		1				
3	INSULATOR	DELTRIN	NATURAL		2				
2	BODY	BRASS	NICKEL		1				
1	SHELL/HOUSING	BRASS	NICKEL		1				
	DESCRIPTION	MATERIAL	FINISH	QTY	DO NOT SCALE DRAWING	CAD FILE	C:/122/122356.DWG	PART DESCRIPTION	TNC "T" ADAPTER JACK-PLUG-JACK
								PART NO.	122356
								DWG. NO.	122356.DWG
								REV.	NC
								SIZE	A
								SCALE	NA