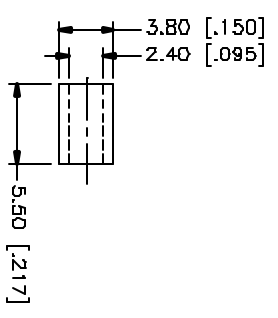
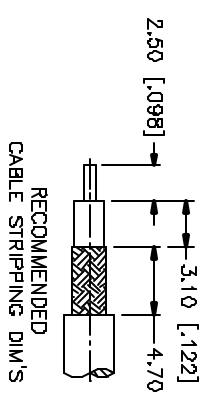
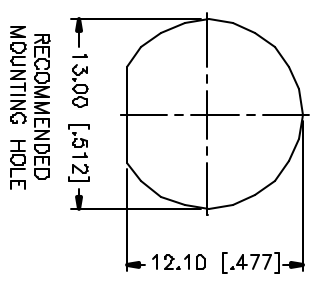
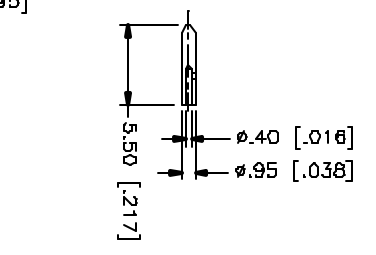
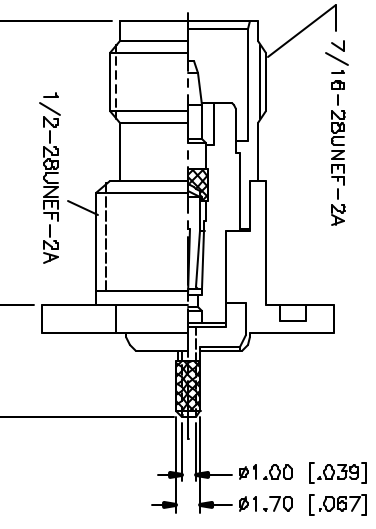
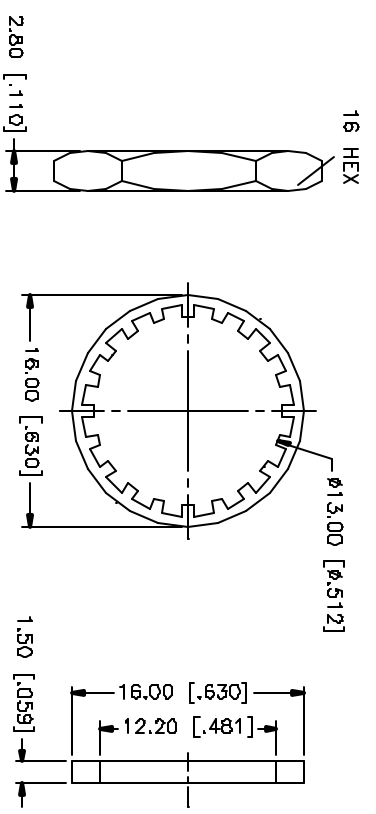


REV.	DATE	DESCRIPTION
A	06/29/04	UPDATE DRAWING FORMAT



CRIMP NOTES:

1. CRIMPED FERRULE  
HEX CRIMP SIZE .128"
2. CRIMPED CONTACT PIN  
SQ. CRIMP SIZE .7mm

QTY	FINISH	MATERIAL	DESCRIPTION
1	NICKEL	COPPER	FERRULE
1	NICKEL	BRASS	HEX NUT
1	NICKEL	BRASS	LOCK WASHER
1	RED	RUBBER	GASKET
1	CAD	BRASS	CONTACT PIN
1	NATURAL	DELFIN	INSULATOR
1	NICKEL	BRASS	BODY

APPROVALS	DATE
G.R.S.	06/29/04

DRWN	CHECKED	ISSUED	SHEET	OF
			1	1

REV.	SIZE	SCALE
A	A	NA

REV.	DATE	DESCRIPTION
A	06/29/04	UPDATE DRAWING FORMAT

**Amphenol Connex**

**TNC BULKHEAD CRIMP JACK**  
(FOR RG-178B/U, 196A/U - 5mm PANEL)

122370

DWG. NO. 122370.DWG