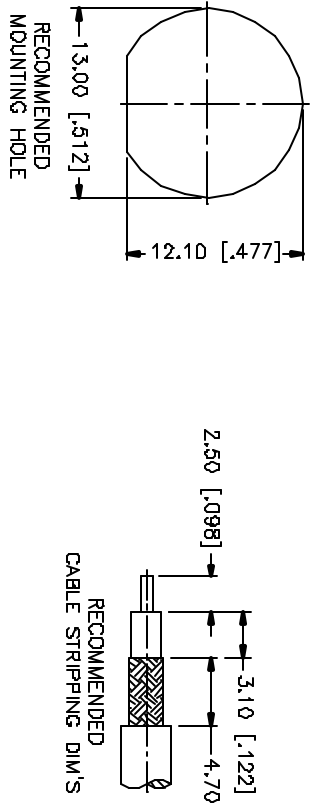
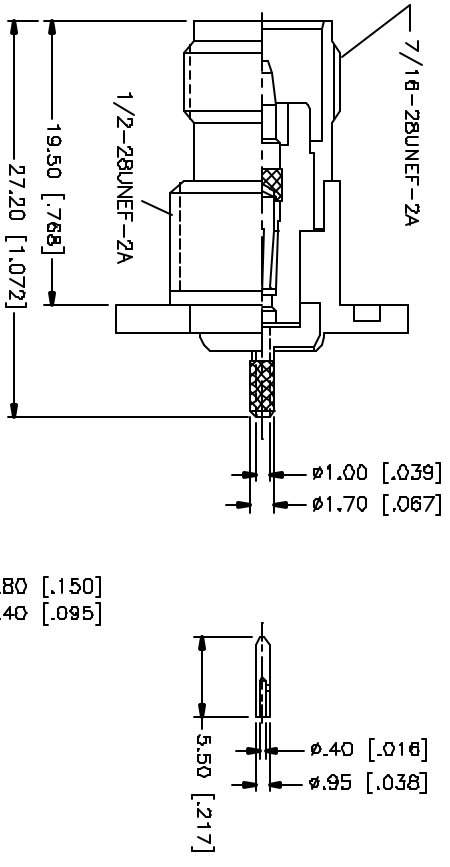
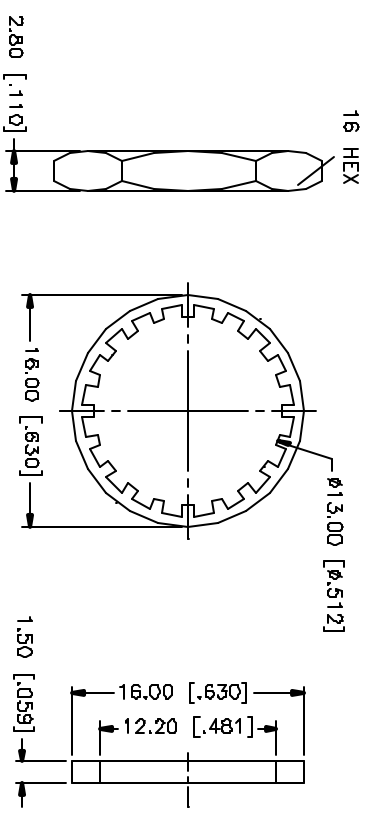


REV.	DATE	DESCRIPTION
A	06/29/04	UPDATE DRAWING FORMAT



RECOMMENDED
CABLE STRIPPING DIM'S

CRIMP NOTES:

1. CRIMPED FERRULE
HEX CRIMP SIZE .128"
2. CRIMPED CONTACT PIN
SQ. CRIMP SIZE .7mm

QTY	FINISH	MATERIAL	DESCRIPTION
1	NICKEL	COPPER	FERRULE
1	NICKEL	BRASS	HEX NUT
1	NICKEL	BRASS	LOCK WASHER
1	RED	ROUBER	GASKET
1	CADL	BRASS	CONTACT PIN
1	NATURAL	DELFIN	INSULATOR
1	NICKEL	BRASS	BODY

APPROVALS	DATE
G.R.S.	06/29/04

DRWNG. NO.	REV.	SIZE	SCALE
122370.DWG	A	A	NA

Amphenol Connex

**TNC BULKHEAD CRIMP JACK
(FOR RG-178B/U, 196A/U - 5mm PANEL)**

122370