

Distributed by:

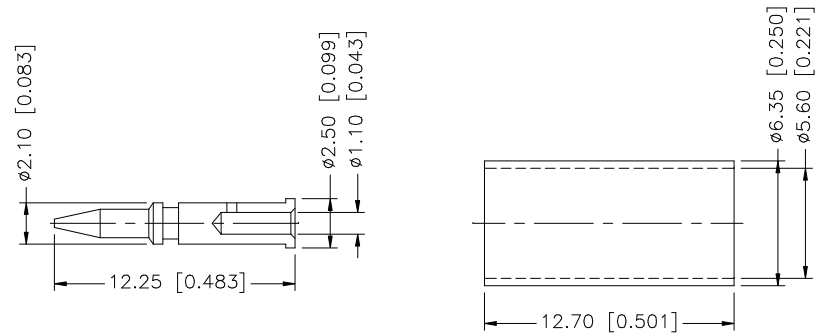
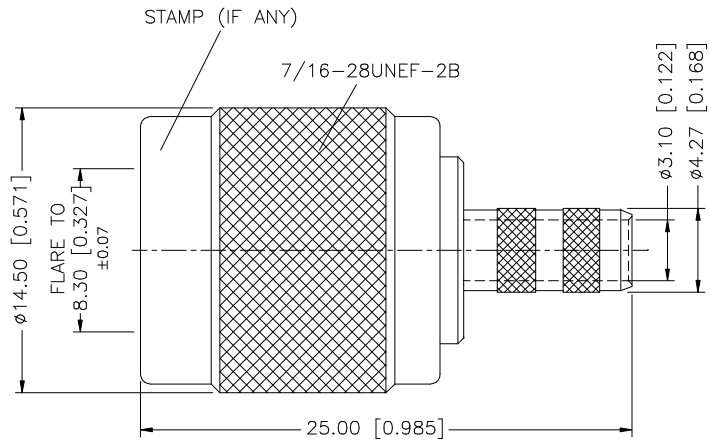
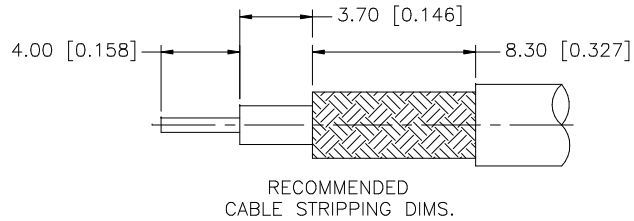
JAMECO[®]
ELECTRONICS

www.Jameco.com ♦ 1-800-831-4242

The content and copyrights of the attached
material are the property of its owner.

Jameco Part Number 296163

REV.	DATE	DESCRIPTION
A	12/23/02	MODIFY CONTACT PIN LENGTH



NOTE:

1. CRIMPED FERRULE
HEX CRIMP SIZE .213"
2. CRIMPED CONTACT PIN
HEX CRIMP SIZE .068"

					APPROVALS	DATE	<h1>Amphenol Connex</h1>				
8					DRAWN	G.R.S.					12/23/02
7					CHECKED			PART NO. 122372			
6					ISSUED						
5	FERRULE	COPPER	NICKEL	1	SHEET	1 OF 1		REV. A SIZE A SCALE NA			
4	GASKET	RUBBER	RED	1	CAD FILE	C:/122/122372.DWG					
3	INSULATOR	DELTRIN	NATURAL	1				UNLESS OTHERWISE SPECIFIED DIMENSIONS ARE IN MILLIMETERS. DIMENSIONS IN [] ARE IN INCHES AND FOR CUSTOMER REFERENCE ONLY.			
2	CONTACT PIN	BRASS	GOLD	1							
1	SHELL/BODY	BRASS	NICKEL	1				UNLESS OTHERWISE SPECIFIED TOLERANCES FOR INCHES ARE: .020 - .315 = ± 0.007" .315 - 1.180 = ± 0.015" 1.180 - 4.724 = ± 0.020"			
	DESCRIPTION	MATERIAL	FINISH	QTY	DO NOT SCALE DRAWING						