

Distributed by:

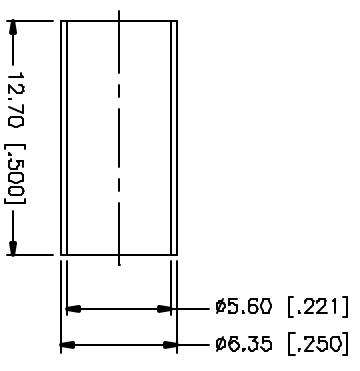
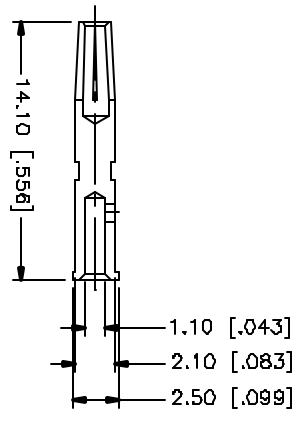
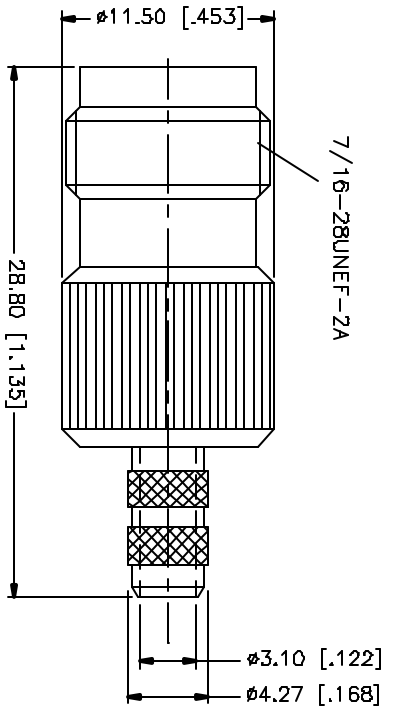
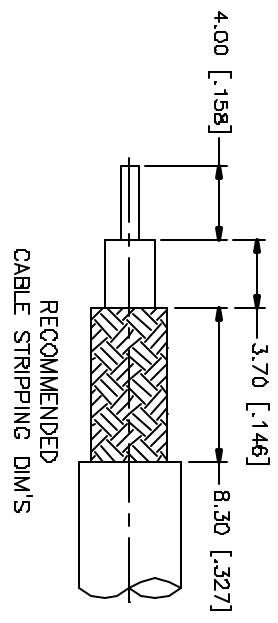
**JAMECO**<sup>®</sup>  
ELECTRONICS

**www.Jameco.com ♦ 1-800-831-4242**

The content and copyrights of the attached  
material are the property of its owner.

Jameco Part Number 658689

| REV. | DATE     | DESCRIPTION     |
|------|----------|-----------------|
| NC   | 03/19/05 | INITIAL RELEASE |



NOTE:

1. CRIMPED FERRULE  
HEX CRIMP SIZE 5.41 [.213"]
2. CRIMP CONTACT PIN  
HEX CRIMP SIZE 1.72 [.068"]

| REV. | DATE     | DESCRIPTION     |
|------|----------|-----------------|
| NC   | 03/19/05 | INITIAL RELEASE |

|             |             |              |         |   |   |
|-------------|-------------|--------------|---------|---|---|
| 1           | FERRULE     | COPPER       | NICKEL  | 1 | <p>UNLESS OTHERWISE SPECIFIED DIMENSIONS ARE IN MILLIMETERS. DIMENSIONS IN [ ] ARE IN INCHES AND PER QUANTITIES REFERENCED ONLY. TOLERANCES FOR MILLIMETERS ARE:</p> <p>0.5 - .8mm ± 0.20mm<br/>           .8 - .30mm ± 0.40mm<br/>           .30 - 1.20mm ± 0.50mm</p> <p>UNLESS OTHERWISE SPECIFIED DIMENSIONS FOR INCHES ARE:</p> <p>.020 - .315 ± 0.007"<br/>           .315 - 1.180 ± 0.015"<br/>           1.180 - 4.724 ± 0.020"</p> <p>DO NOT SCALE DRAWING</p> |
| 2           | CONTACT PIN | PHOS. BRONZE | GOLD    | 1 |   |
| 3           | INSULATOR   | TEFLON       | NATURAL | 1 |   |
| 4           | BODY        | BRASS        | NICKEL  | 1 |   |
| DESCRIPTION |             |              |         |   |   |
| MATERIAL    |             |              |         |   |   |
| FINISH      |             |              |         |   |   |
| QTY         |             |              |         |   |   |

|           |          |
|-----------|----------|
| APPROVALS | DATE     |
| G.R.S.    | 03/19/05 |
| CHECKED   |          |
| ISSUED    |          |
| SHEET     | 1 OF 1   |

|   |            |      |    |      |   |       |    |
|---|------------|------|----|------|---|-------|----|
| DWG. NO.  | 122373.DWG | REV. | NC | SIZE | A | SCALE | NA |
| <p><b>Amphenol Connex</b></p> <p>TNC CRIMP JACK<br/>(FOR RG-55/U, 142A/U, 223/U, 400/U)</p> <p>122373</p> |            |      |    |      |   |       |    |