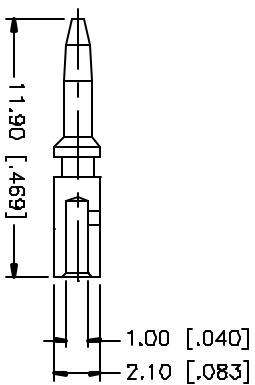
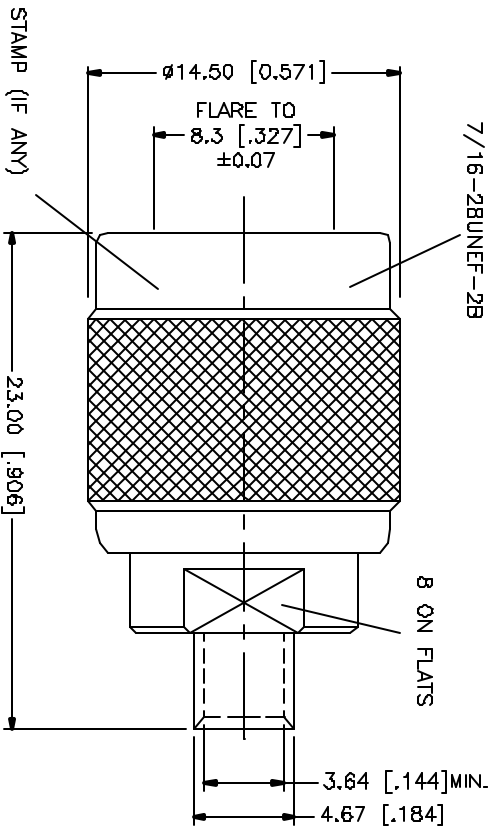
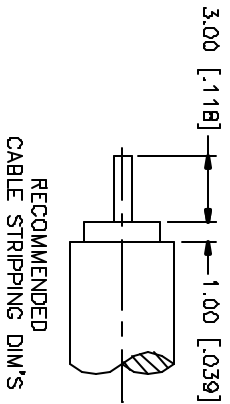


REV.	DATE	DESCRIPTION
A	11/08/04	ADD COUPLING NUT / CHANGE PLATING TO NICKEL



NOTE:  
1. CRIMPED CONTACT PIN  
HEX CRIMP SIZE .068"

QTY	FINISH	MATERIAL	DESCRIPTION
1	NICKEL	BRASS	COUPLING NUT
1	GOLD	BRASS	CONTACT PIN
1	NATURAL	TEFLON	INSULATOR
1	NICKEL	BRASS	BODY

UNLESS OTHERWISE SPECIFIED DIMENSIONS ARE IN MILLIMETERS DIMENSIONS IN PARENS ARE IN INCHES AND FOR CUSTOMER REFERENCE ONLY.	APPROVALS	DATE
LIMITS OVERSIZE SPECIFIED TOLERANCES FOR WELDMENTS ARE: 0.5 - 30mm ± 0.20mm 30 - 120mm ± 0.40mm 120 - 300mm ± 0.40mm	DRAWN C.R.S.	11/08/04
LIMITS OVERSIZE SPECIFIED TOLERANCES FOR INCHES ARE: .020 - .315 ± 0.007" .315 - 1.180 ± 0.015" 1.180 - 4.1724 ± 0.020"	CHECKED	
DO NOT SCALE DRAWING	ISSUED	
	SHEET 1 OF 1	

QAD FILE C:/122/122386.DWG	DWG. NO. 122386.DWG	REV. A	SIZE A	SCALE NA
----------------------------	---------------------	--------	--------	----------

<b>Amphenol Connex</b>
TNC DIRECT SOLDER PLUG (FOR .141" SEMI RIGID CABLE)
PART NO. 122386