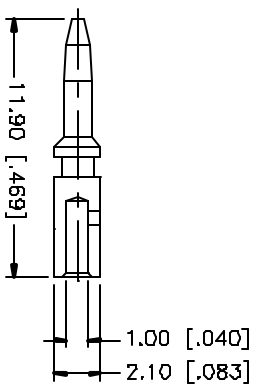
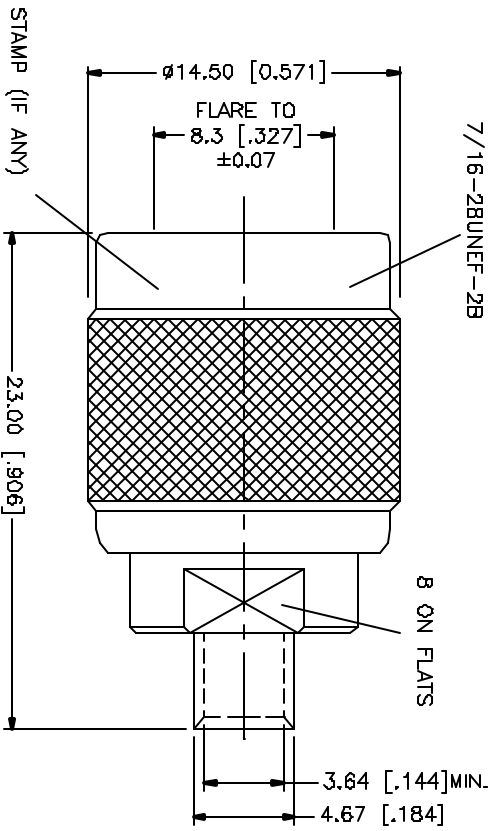
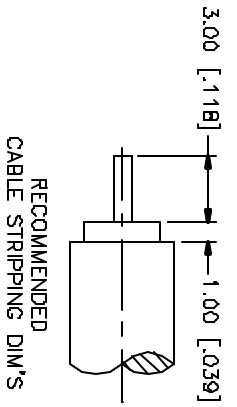


REV.	DATE	DESCRIPTION
A	11/08/04	ADD COUPLING NUT / CHANGE PLATING TO NICKEL



NOTE:
1. CRIMPED CONTACT PIN
HEX CRIMP SIZE .068"

QTY	FINISH	MATERIAL	DESCRIPTION
1	NICKEL	BRASS	COUPLING NUT
1	GOLD	BRASS	CONTACT PIN
1	NICKEL	TEFLON	INSULATOR
1	NICKEL	BRASS	BODY

UNLESS OTHERWISE SPECIFIED DIMENSIONS ARE IN MILLIMETERS DIMENSIONS IN PARENS ARE IN INCHES AND FOR CUSTOMER REFERENCE ONLY.	APPROVALS	DATE	Amphenol Connex TNC DIRECT SOLDER PLUG (FOR .141" SEMI RIGID CABLE) PART NO. 122386
DRAWN C.R.S.	11/08/04		
CHECKED			
ISSUED			
SHEET 1 OF 1			

UNLESS OTHERWISE SPECIFIED DIMENSIONS ARE IN MILLIMETERS DIMENSIONS IN PARENS ARE IN INCHES AND FOR CUSTOMER REFERENCE ONLY.	DO NOT SCALE DRAWING	QAO FILE C:/122/122386.DWG	DWG. NO. 122386.DWG	REV. A	SIZE A	SCALE NA
--	----------------------	----------------------------	---------------------	--------	--------	----------