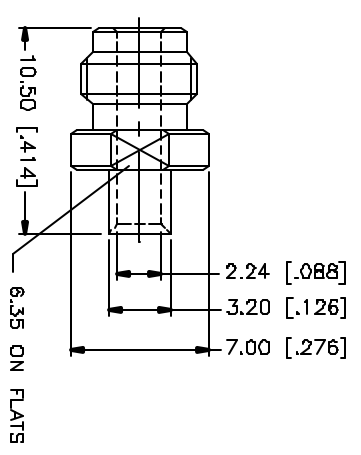
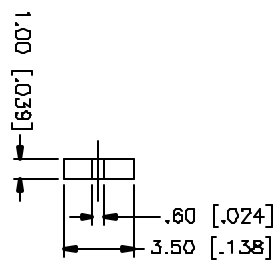
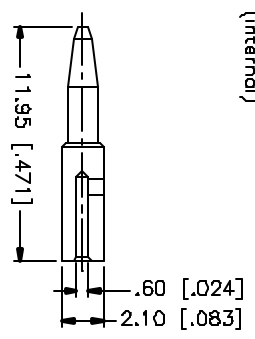
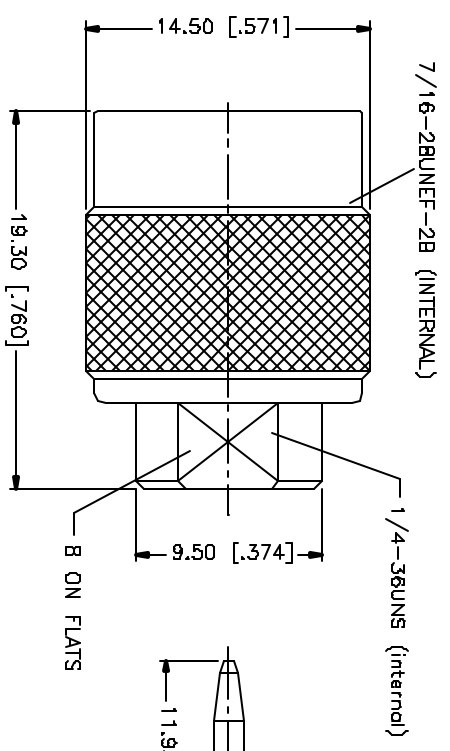
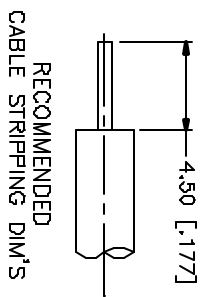


REV.	DATE	DESCRIPTION
A	05.01.04	UPDATE DRAWING FORMAT



NOTE:
1. CRIMPED CONTACT PIN
HEX CRIMP SIZE .068"

QTY	FINISH	MATERIAL	DESCRIPTION
1	NATURAL	BRASS	INSULATOR
1	GOLD	BRASS	CONTACT PIN
1	NATURAL	TEFLON	INSULATOR
1	GOLD	BRASS	BODY
1	NATURAL	BRASS	SOLDER NUT
1	NATURAL	TEFLON	INSULATOR
1	GOLD	BRASS	CONTACT PIN
1	NATURAL	TEFLON	INSULATOR
1	GOLD	BRASS	BODY
1	NATURAL	BRASS	SOLDER NUT

APPROVALS	DATE
G.R.S.	05/01/04

DRAWN	CHECKED	ISSUED	SHEET	OF
G.R.S.		199UD	1	1

DATE	DESCRIPTION
05/01/04	TNC DIRECT SOLDER PLUG

REV. FILE	DWG. NO.	REV.	SIZE	SCALE
C:/122/122387.DWG	122387.DWG	A	A	NA

Amphenol Connex

122387