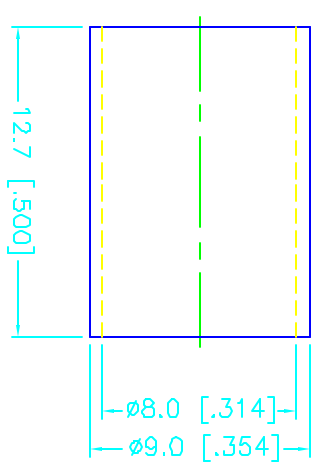
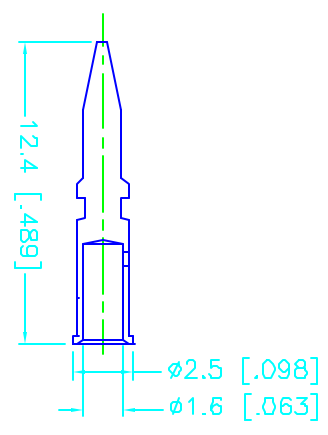
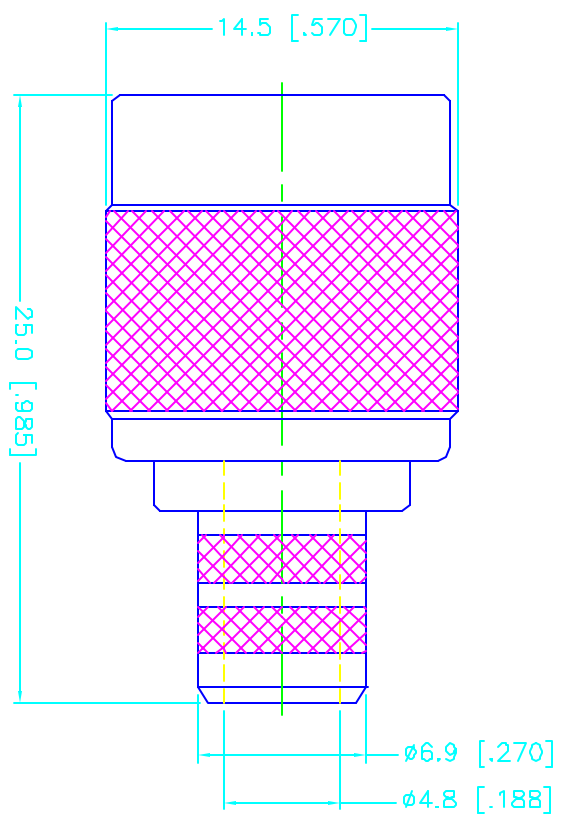
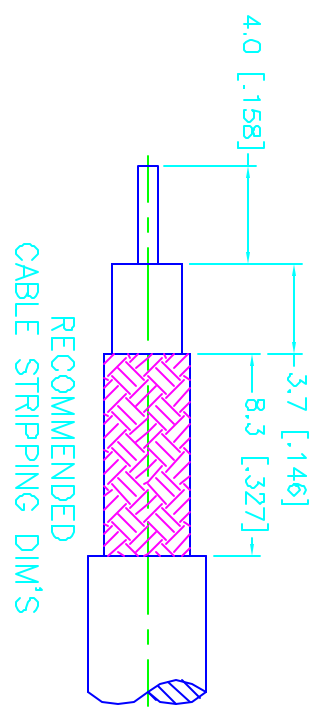


REV.	DATE	DESCRIPTION
A	11/20/97	ADD CENTER CONTACT



DESCRIPTION	MATERIAL	FINISH	UNLESS OTHERWISE SPECIFIED DIMENSIONS ARE IN MILLIMETERS	APPROVALS	DATE	TITLE	SCALE	PART NO.	SHEET	OF		
1 BODY	BRASS	NICKEL	UNLESS OTHERWISE SPECIFIED DIMENSIONS ARE IN MILLIMETERS DIMENSIONS IN [] ARE IN INCHES FOR CUSTOMER REFERENCE ONLY UNLESS OTHERWISE SPECIFIED TOLERANCES FOR MILLIMETERS ARE 0.5-6 ± 0.2 6-30 ± 0.4 30-120 ± 0.6 120-315 ± 1 315-1000 ± 1.6 1000-2000 ± 2.4	DRAWN	G.R.S.	11/20/97	Comnetex Connector Corporation TNC CRIMP PLUG RG-5/U CABLE 75ohm	NA	122390	1	OF 1	
2 INSULATOR	DELRIN	NATURAL		CHECKED								
3 CONTACT PIN	PHOS. BRONZE	GOLD		ISSUED								
4												
5												
6												
7												
8												

DO NOT SCALE DRAWING