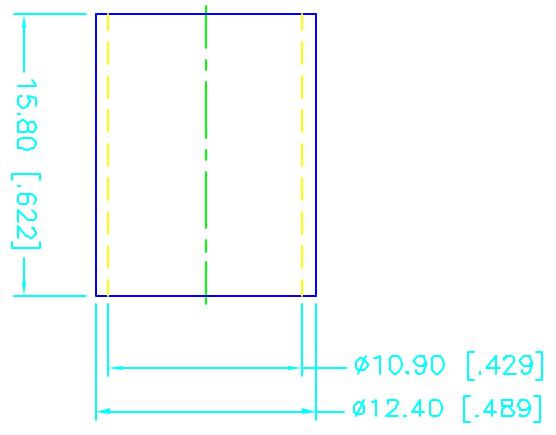
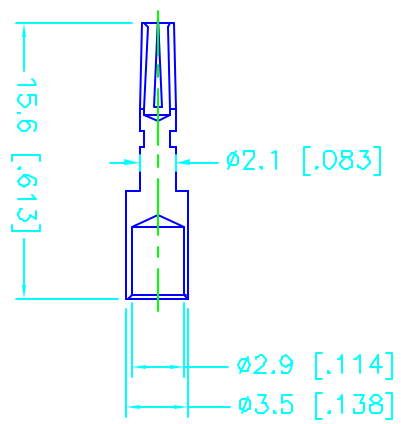
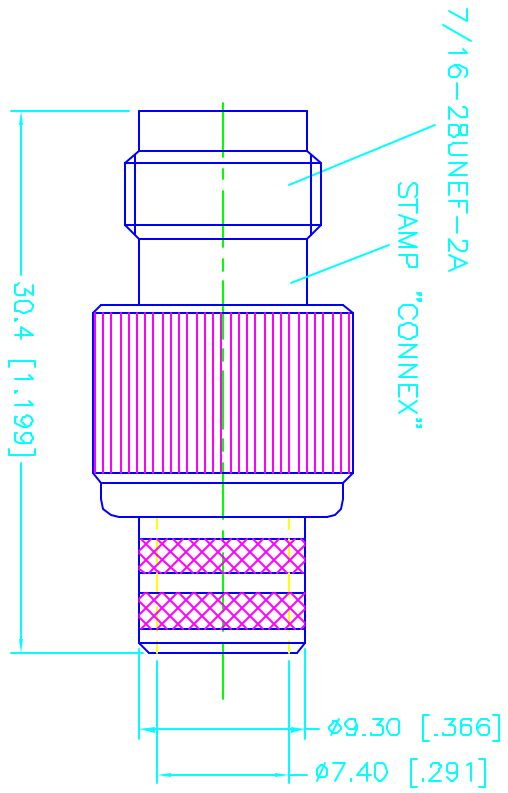
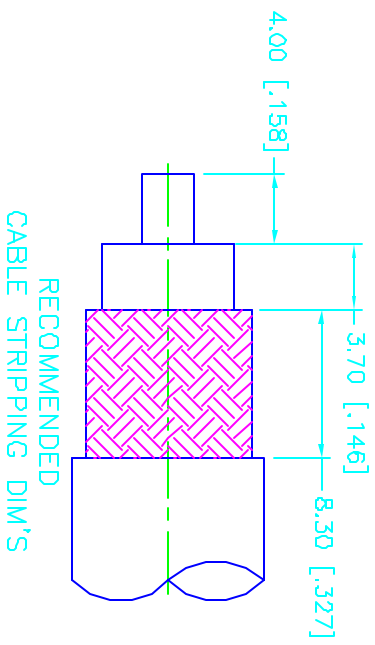


REV.	DATE	DESCRIPTION
NC	04/16/98	INITIAL RELEASE



DESCRIPTION	MATERIAL	FINISH	UNLESS OTHERWISE SPECIFIED DIMENSIONS ARE IN MILLIMETERS FOR CUSTOMER REFERENCE ONLY	APPROVALS	DATE	TITLE
1 BODY	BRASS	NICKEL	UNLESS OTHERWISE SPECIFIED DIMENSIONS ARE IN MILLIMETERS FOR CUSTOMER REFERENCE ONLY 0.5-6 ± 0.2 6-30 ± 0.4 30-120 ± 0.6 120-375 ± 1 375-1000 ± 1.6 1000-2000 ± 2.4	DRAWN	04/16/98	<b>Connex</b> Connector Corporation TNC CRIMP JACK (FOR BELDEN 8214, 9913) LMR 400 CABLE
2 INSULATOR	TEFLON	NATURAL		CHECKED		
3 CONTACT PIN	PHOS. BRONZE	GOLD		ISSUED		
4 FERRULE	JIS	NICKEL				
5						
6						
7						
8				DO NOT SCALE DRAWING		
				SCALE	NA	PART NO.
						122392
				SHEET		1 OF 1
						REV. NC