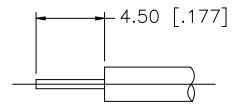
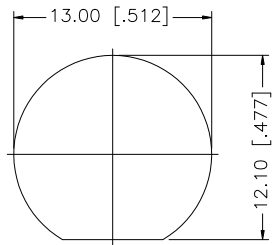
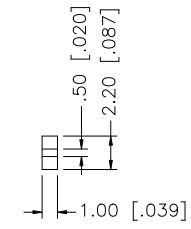
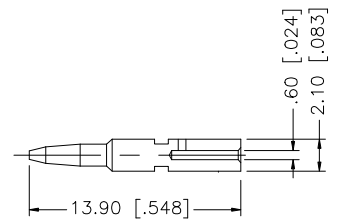
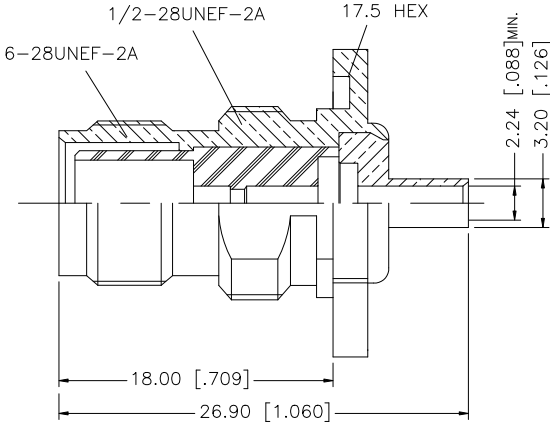
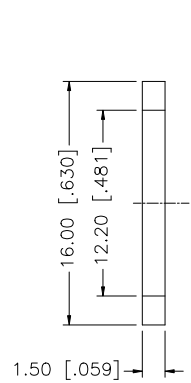
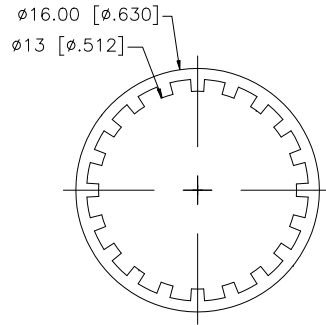
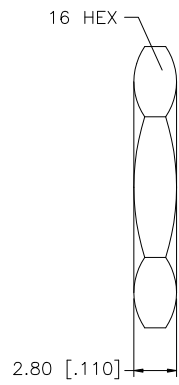


REV.	DATE	ECR NO.	DESCRIPTION
NC	03/24/09	-	INITIAL RELEASE



RECOMMENDED  
CABLE STRIPPING DIM'S



RECOMMENDED  
MOUNTING HOLE

NOTE:

1. CRIMPED CONTACT PIN HEX CRIMP SIZE .068" [1.73]
2. MAX. PANEL THICKNESS= 3.5mm

DESCRIPTION	MATERIAL	FINISH	QTY	
8	HEX NUT	BRASS	NICKEL	1
7	LOCK WASHER	BRASS	NICKEL	1
6	GASKET	RUBBER	RED	1
5	INSULATOR	PTFE	NATURAL	1
4	CONTACT PIN	BRASS	GOLD	1
3	INSULATOR	PTFE	NATURAL	1
2	BARREL	BRASS	NICKEL	1
1	BODY	BRASS	NICKEL	1

UNLESS OTHERWISE SPECIFIED DIMENSIONS ARE IN MILLIMETERS. DIMENSIONS IN [ ] ARE IN INCHES AND FOR CUSTOMER REFERENCE ONLY.

UNLESS OTHERWISE SPECIFIED TOLERANCES FOR MILLIMETERS ARE:  
0.5 - 8mm ± 0.20mm  
8 - 30mm ± 0.40mm  
30 - 120mm ± 0.50mm

UNLESS OTHERWISE SPECIFIED TOLERANCES FOR INCHES ARE:  
.020 - .315 = ± 0.007"  
.315 - 1.180 = ± 0.015"  
1.180 - 4.724 = ± 0.020"

DO NOT SCALE DRAWING

APPROVALS	DATE
DRAWN GRS	03/24/09
CHECKED	
ISSUED	
SHEET 1 OF 1	
CAD FILE	C:/122/122400RP-10.DWG

<h1>Amphenol Connex</h1>			
PART DESCRIPTION TNC REVERSE POLARITY BULKHEAD DIRECT SOLDER JACK (FOR .085", .086" CABLE)			
PART NO. 122400RP-10			
DWG. NO.	122400RP-10.DWG	REV.	NC
SIZE	A	SCALE	NA