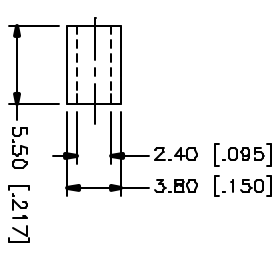
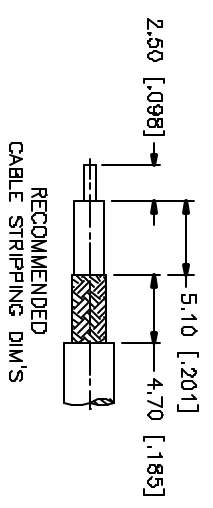
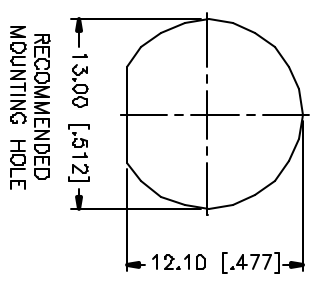
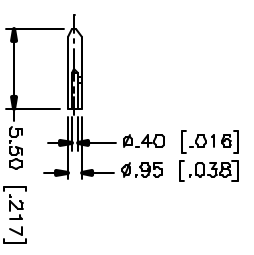
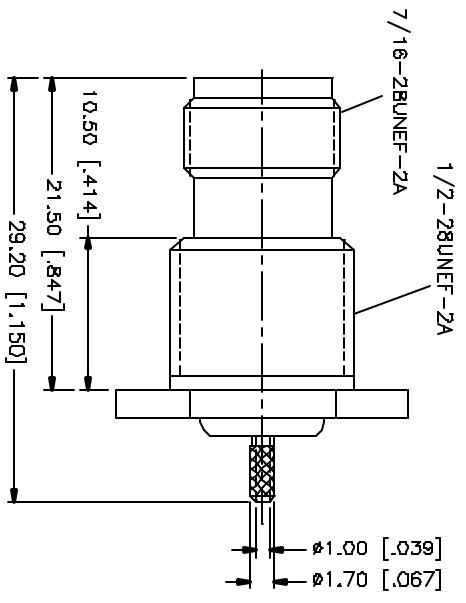
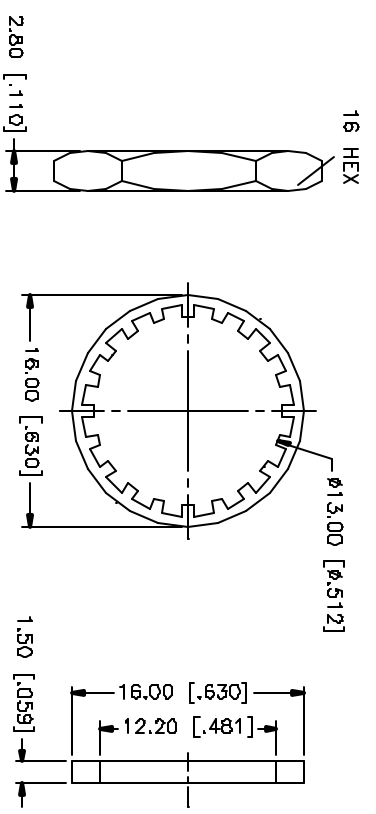


REV.	DATE	DESCRIPTION
A	06/29/04	UPDATE DRAWING FORMAT



CRIMP NOTES:

1. CRIMPED FERRULE  
HEX CRIMP SIZE .128"
2. CRIMPED CONTACT PIN  
SQ. CRIMP SIZE .7mm

QTY	FINISH	MATERIAL	DESCRIPTION
1	NICKEL	COPPER	FERRULE
1	NICKEL	BRASS	HEX NUT
1	NICKEL	BRASS	LOCK WASHER
1	RED	RUBBER	GASKET
1	COLD	PHOS. BRONZE	CONTACT PIN
1	NATURAL	DELFIN	INSULATOR
1	NICKEL	BRASS	HOUSING/BODY

APPROVALS	DATE
G.R.S.	06/29/04

DRAWN	CHECKED	ISSUED	SHEET	1 OF 1

REV.	SIZE	SCALE
A	A	NA

REV. NO.	REV.	SIZE	SCALE
122403.DWG	A	A	NA

**Amphenol Connex**  
 PART DESCRIPTION: TNC BULKHEAD CRIMP JACK  
 (FOR RG-178B/U, 196A/U - 6.5mm PANEL)  
 PART NO.: 122403

USE THE FOLLOWING DIMENSIONS FOR THE CRIMPED FERRULE AND THE CRIMPED CONTACT PIN.  
 DIMENSIONS FOR THE CRIMPED FERRULE:  
 0.5 - 8mm ± 0.20mm  
 8 - 30mm ± 0.40mm  
 30 - 120mm ± 0.40mm  
 DIMENSIONS FOR THE CRIMPED CONTACT PIN:  
 .020 - .315 ± 0.007"  
 .315 - 1.180 ± 0.015"  
 1.180 - 4.724 ± 0.020"  
 DO NOT SCALE DRAWINGS