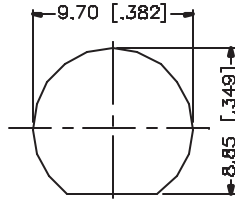
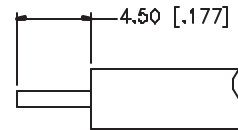
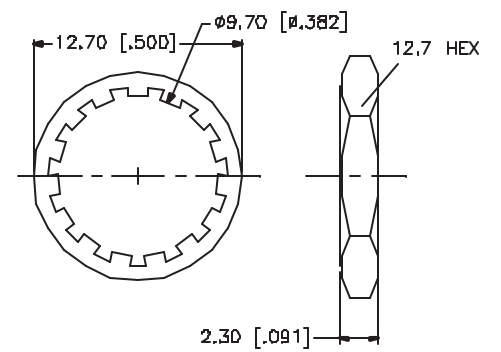
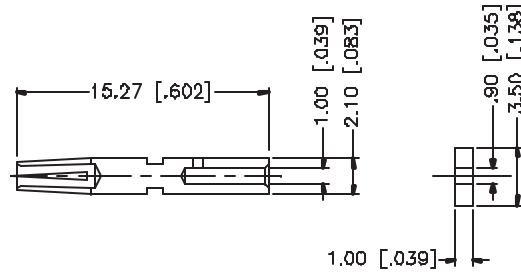
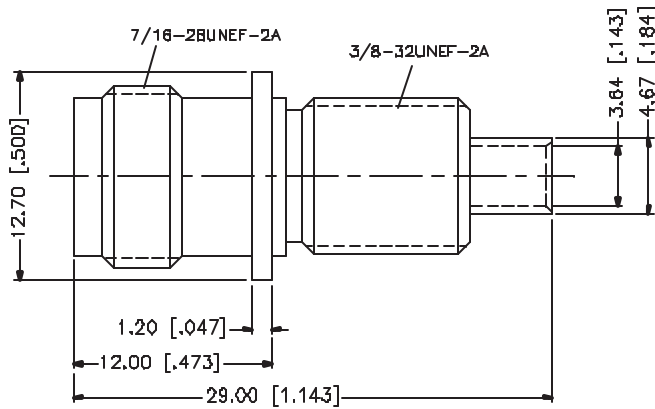


REV.	DATE	DESCRIPTION
A	01/15/04	UPDATE DRAWING FORMAT



RECOMMENDED MOUNTING HOLE



RECOMMENDED CABLE STRIPPING DIM'S

QTY	DESCRIPTION	MATERIAL	FINISH
1	BODY	BRASS	NICKEL
2	INSULATOR	TEFLON	NATURAL
3	CONTACT PIN	PHOS. BRONZE	GOLD
4	LOCK WASHER	BRASS	NICKEL
5	HEX NUT	BRASS	NICKEL

UNLESS OTHERWISE SPECIFIED DIMENSIONS ARE IN MILLIMETERS DIMENSIONS IN [] ARE IN INCHES AND FOR CUSTOMER REFERENCE ONLY.

UNLESS OTHERWISE SPECIFIED TOLERANCES FOR MILLIMETERS ARE:

0.5 - 8mm ± 0.20mm
8 - 30mm ± 0.40mm
30 - 120mm ± 0.50mm

UNLESS OTHERWISE SPECIFIED TOLERANCES FOR INCHES ARE:

.020 - .315 = ± 0.007"
.315 - 1.180 = ± 0.015"
1.180 - 4.724 = ± 0.020"

DO NOT SCALE DRAWING

APPROVALS	DATE
DRAWN G.R.S.	01/15/04
CHECKED	
ISSUED	
SHEET 1 OF 1	
CAD FILE C:/122/122406.DWG	

Amphenol Connex

PART DESCRIPTION
**TNC BULKHEAD DIRECT SOLDER JACK
FRONT MOUNT .141 SIMI RIGID CABLE**

PART NO.
122406

DWG. NO.	122406.DWG	REV.	A	SIZE	A	SCALE	NA
----------	------------	------	---	------	---	-------	----