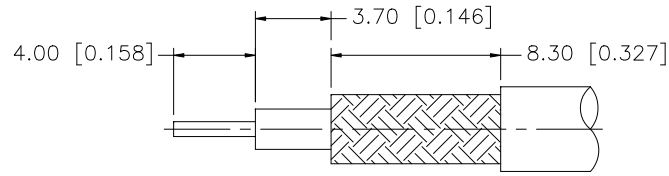
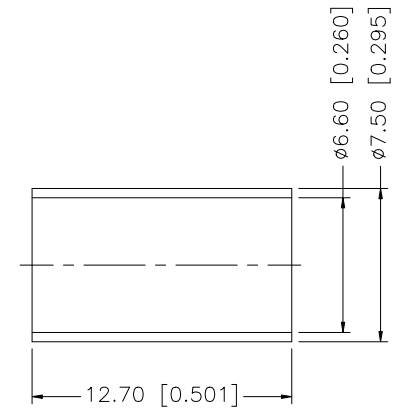
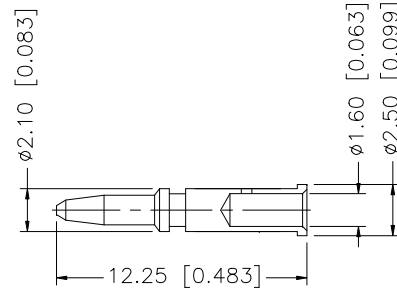
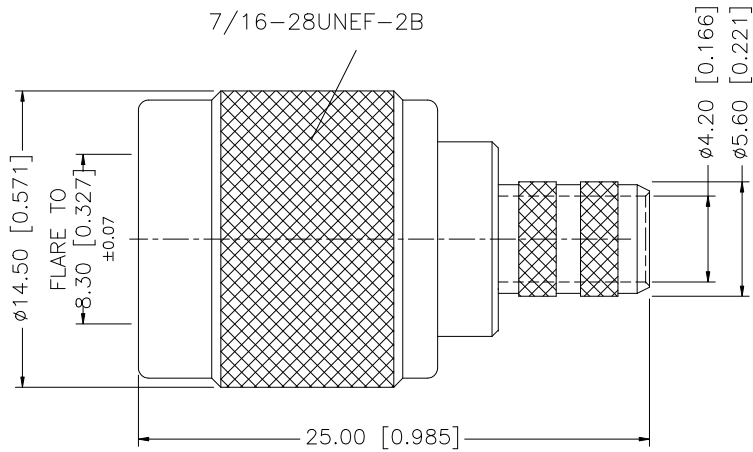


REV.	DATE	ECR NO.	DESCRIPTION
B	07/15/03	-	CHANGE INSULATOR TO DELRIN
C	04/01/08	-	CHANGE INSULATOR TO PTFE, REVISE CABLE DESCRIPTION
D	05/21/08	-	CHANGE INSULATOR TO DELRIN



RECOMMENDED  
CABLE STRIPPING DIMS.



NOTE:

1. CRIMPED FERRULE HEX CRIMP SIZE .255"
2. CRIMPED CONTACT PIN HEX CRIMP SIZE .068"

REV.	DATE	ECR NO.	DESCRIPTION
B	07/15/03	-	CHANGE INSULATOR TO DELRIN
C	04/01/08	-	CHANGE INSULATOR TO PTFE, REVISE CABLE DESCRIPTION
D	05/21/08	-	CHANGE INSULATOR TO DELRIN

8					<small>UNLESS OTHERWISE SPECIFIED DIMENSIONS ARE IN MILLIMETERS. DIMENSIONS IN [ ] ARE IN INCHES AND FOR CUSTOMER REFERENCE ONLY.</small> <small>UNLESS OTHERWISE SPECIFIED TOLERANCES FOR MILLIMETERS ARE:  0.5 - 8mm ± 0.20mm  8 - 30mm ± 0.40mm  30 - 120mm ± 0.50mm</small> <small>UNLESS OTHERWISE SPECIFIED TOLERANCES FOR INCHES ARE:  .020 - .315 = ± 0.007"  .315 - 1.180 = ± 0.015"  1.180 - 4.724 = ± 0.020"</small>	APPROVALS	DATE	<h1 style="color: blue;">Amphenol Connex</h1>				
7						DRAWN	G.R.S.					05/21/08
6						CHECKED			<b>PART DESCRIPTION</b> TNC STRAIGHT CRIMP PLUG (FOR LMR 240, BELDEN RG8X CABLE)			
5						ISSUED						
4	FERRULE	COPPER	NICKEL	1		SHEET	1 OF 1		<b>PART NO.</b> 122408			
3	CONTACT PIN	BRASS	GOLD	1								
2	INSULATOR	DELRIN	NATURAL	1	CAD FILE			<b>DWG. NO.</b> 122408.DWG				
1	BODY	BRASS	NICKEL	1								<b>REV.</b> D <b>SIZE</b> A <b>SCALE</b> NA
DO NOT SCALE DRAWING					C:/122/122408.DWG							