

Distributed by:

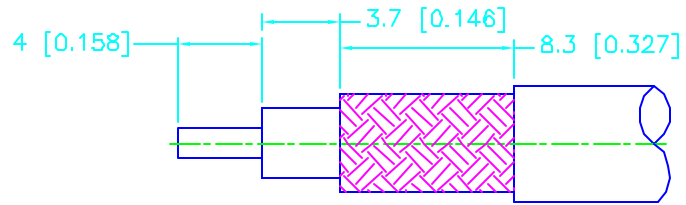
JAMECO[®]
ELECTRONICS

www.Jameco.com ♦ 1-800-831-4242

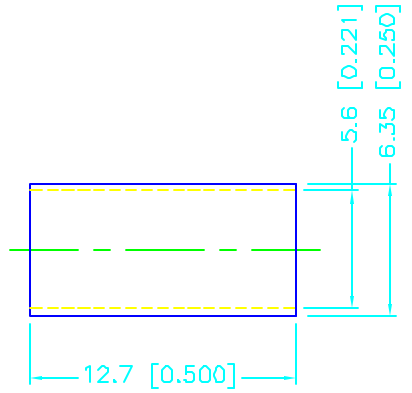
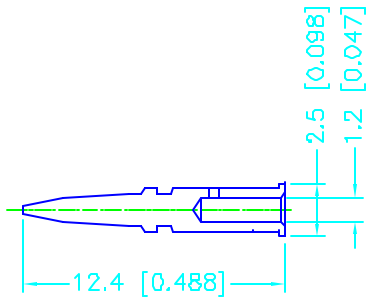
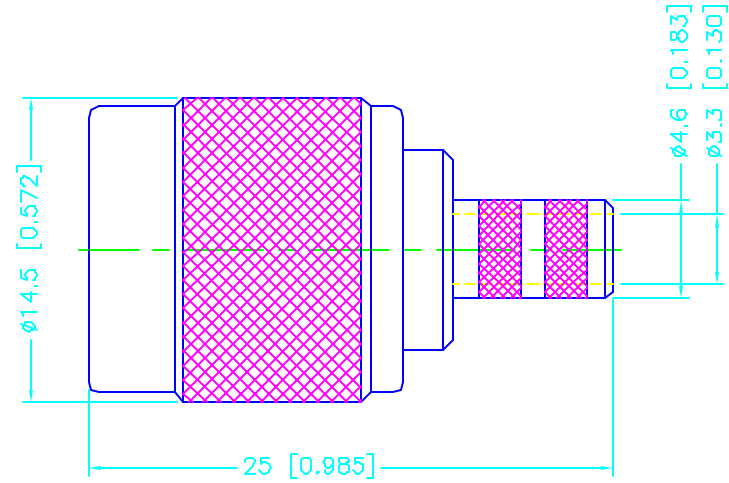
The content and copyrights of the attached
material are the property of its owner.


Jameco Part Number 658566

REV.	DATE	DESCRIPTION
NC	08/04/98	INITIAL RELEASE



RECOMMENDED
CABLE STRIPPING DIM'S



DESCRIPTION	MATERIAL	FINISH	UNLESS OTHERWISE SPECIFIED DIMENSIONS ARE IN MILLIMETERS	APPROVALS	DATE						
1 SHELL	BRASS	NICKEL	DIMENSIONS IN [] ARE IN INCHES FOR CUSTOMER REFERENCE ONLY	DRAWN	G.R.S.	08/04/98	TITLE TNC CRIMP PLUG – LMR 200				
2 BODY	BRASS	NICKEL		CHECKED							
3 INSULATOR	TEFLON	NATURAL	UNLESS OTHERWISE SPECIFIED TOLERANCES FOR MILLIMETERS ARE: 0.5–6 = ± 0.2 6–30 = ± 0.4 30–120 = ± 0.6 120–315 = ± 1 315–1000 = ± 1.6 1000–2000 = ± 2.4	ISSUED			SIZE	FSCM NO.	DWG. NO.	REV.	
4 CONTACT PIN	BRASS	GOLD		A	99001	122410.DWG	NC				
5 FERRULE	BRASS	NICKEL									
6											
7											
8			DO NOT SCALE DRAWING			SCALE	NA	PART NO.	122410	SHEET	1 OF 1