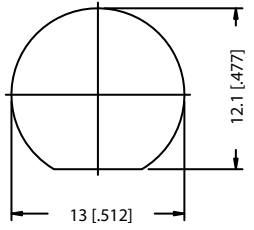
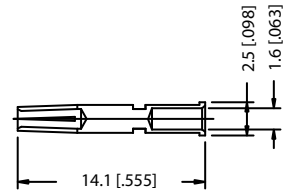
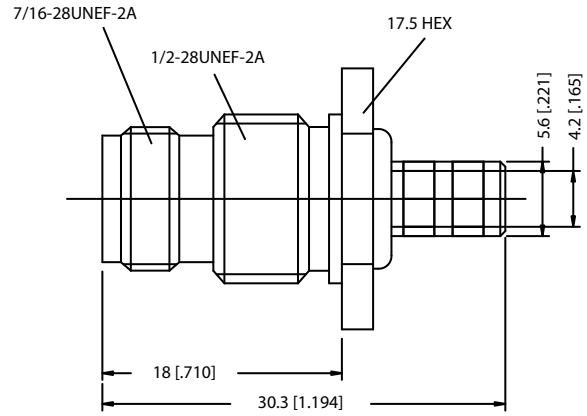
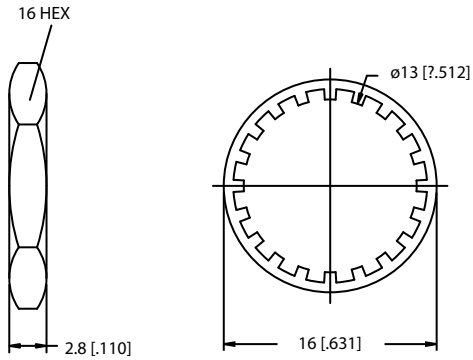
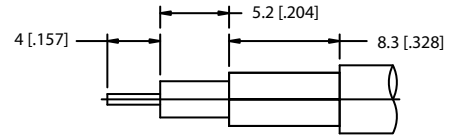


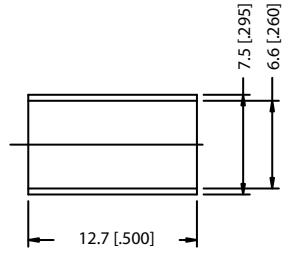
REV.	DATE	DESCRIPTION
NC	08/18/98	INITIAL RELEASE



RECOMMENDED MOUNTING HOLE




RECOMMENDED CABLE STRIPPING DIM'S



DESCRIPTION	MATERIAL	FINISH
1 HOUSING	BRASS	NICKEL
2 BODY	BRASS	NICKEL
3 INSULATOR	TEFLON	NATURAL
4 CONTACT PIN	PHOS.BRONZE	GOLD
5 GASKET	SILICONE	RED
6 LOCK WASHER	BRASS	NICKEL
7 HEX NUT	BRASS	NICKEL
8 FERRULE	COPPER	NICKEL

UNLESS OTHERWISE SPECIFIED DIMENSIONS ARE IN MILLIMETERS
 DIMENSIONS IN () ARE IN INCHES FOR CUSTOMER REFERENCE ONLY
 UNLESS OTHERWISE SPECIFIED TOLERANCES FOR MILLIMETERS ARE:
 0.5-6 = ± 0.2
 6-30 = ± 0.4
 30-120 = ± 0.6
 120-315 = ± 1
 315-1000 = ± 1.6
 1000-2000 = ± 2.4
 DO NOT SCALE DRAWING

APPROVALS	DATE
DRAWN G.R.S.	08/18/98
CHECKED	
ISSUED	



Connex
Connector Corporation

TITLE			
TNC BULKHEAD CRIMP JACK - LMR 240			
SIZE	FSCM NO.	DWG. NO.	REV.
A	99001	122415.DWG	NC
SCALE	NA	PART NO.	SHEET
		122415	1 OF 1