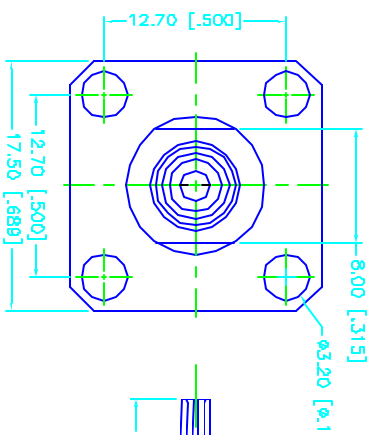
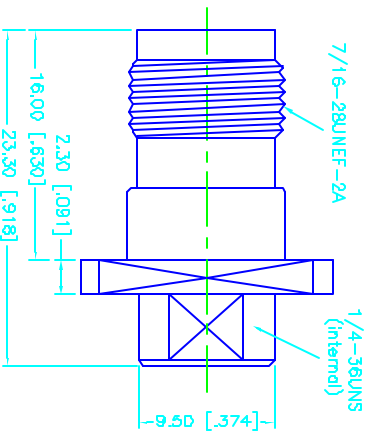
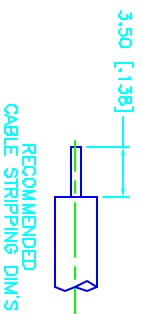


REV.	DATE
NC	11 /02 /98



DESCRIPTION	MATERIAL	FINISH	UNLESS OTHERWISE SPECIFIED DIMENSIONS ARE IN MILLIMETERS DIMENSIONS IN [] ARE IN INCHES FOR DATUMS REFERENCE ONLY	APPROVALS	DATE	TITLE
1 BODY	BRASS	NICKEL		DRAWN G.R.S.	11 /02 /98	
2 INSULATOR	TEFLON	NATURAL		CHECKED		
3 CONTACT PIN	PHOS. BRONZE	GOLD	UNLESS OTHERWISE SPECIFIED DIMENSIONS FOR MILLIMETERS ARE:	ISSUED		
4 SOLDER NUT	BRASS	GOLD	0.2-10 = ± 0.2 0.2-50 = ± 0.4 30-120 = ± 0.8 120-315 = ± 1 315-1000 = ± 1.6 1000-2000 = ± 2.4			
5						SIZE A
6						FORM NO. 990
7						SCALE NA
B			DO NOT SCALE DRAWING			PART