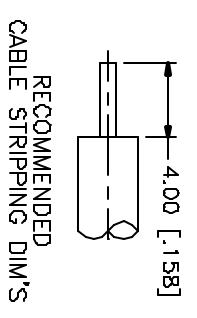
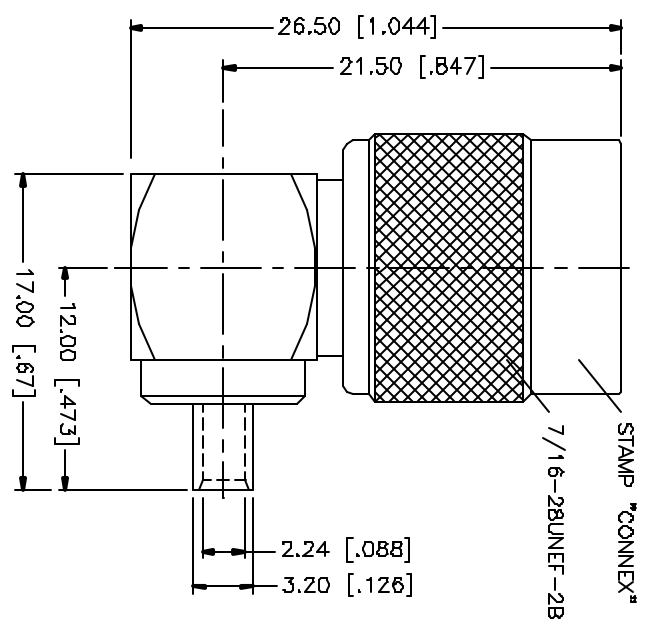


REV.	DATE	DESCRIPTION
A	03/18/05	UPDATE DRAWING FORMAT



NO.	DESCRIPTION	MATERIAL	FINISH	QTY
8				
7				
6				
5				
4	CONTACT PIN	PHOS. BRONZE	GOLD	1
3	INSULATOR	TEFLON	NATURAL	1
2	BODY	BRASS	NICKOTE	1
1	SHELL	BRASS	NICKEL	1
	DESCRIPTION	MATERIAL	FINISH	QTY

UNLESS OTHERWISE SPECIFIED DIMENSIONS ARE IN INCHES AND FOR DECIMAL EQUIVALENT DIM'S.	
TOLERANCES FOR VALUES ARE:	
0.5 - .8mm ± 0.20mm	UNLESS OTHERWISE SPECIFIED
B - .50mm ± 0.40mm	TOLERANCES FOR VALUES ARE:
30 - 120mm ± 0.50mm	
UNLESS OTHERWISE SPECIFIED DIMENSIONS ARE IN MILLIMETERS.	
.020 - .315 ± 0.0075"	
.315 - 1.180 ± 0.015"	
1.180 - 4.724 ± 0.020"	
DD NOT SCALE DRAWING	

APPROVALS	DATE
DRWN G.R.S.	03/18/05
CHECKED	
ISSUED	
SHEET 1 OF 1	

PART DESCRIPTION	TNC R/A DIRECT SOLDER PLUG (FOR .085", .086" CABLE)
PART NO.	1 22420
DWG. NO.	122420.DWG
REV.	A
SIZE	A
SCALE	NA

Amphenol Connex