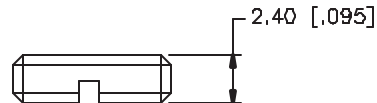
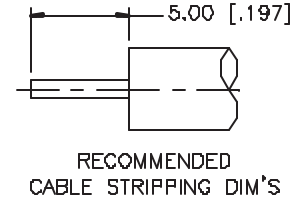
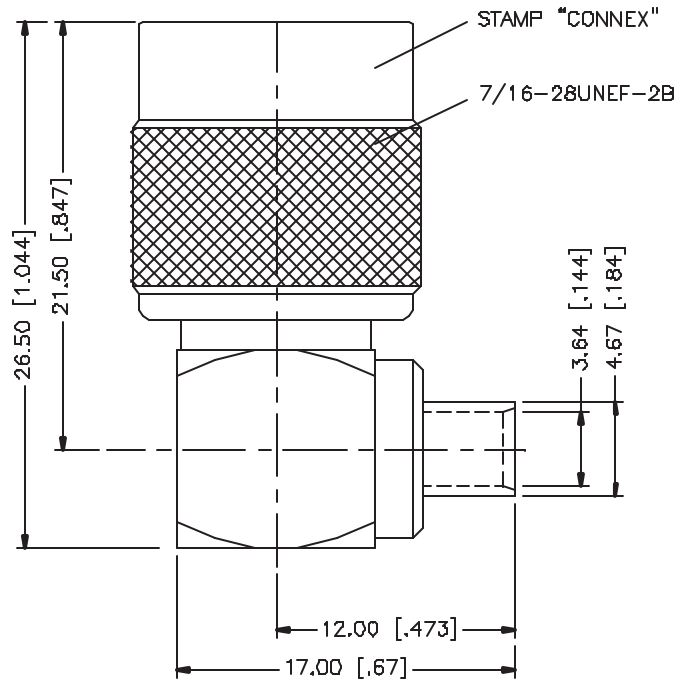


REV.	DATE	DESCRIPTION
A	11/26/03	UPDATE DRAWING FORMAT
B	03/18/04	ADD COUPLING NUT UNDER PART DESCRIPTION



				APPROVALS	DATE	<b>Amphenol Connex</b>				
8				DRAWN	G.R.S.					03/18/04
7				CHECKED			PART NO. <b>122422</b>			
6				ISSUED						
5				SHEET	1 OF 1		REV. B    SIZE A    SCALE NA			
4	COUPLING NUT	BRASS	NICKEL	1	C:/122/122422.DWG					
3	CONTACT PIN	BRASS	GOLD	1						
2	INSULATOR	TEFLON	NATURAL	1	DO NOT SCALE DRAWING					
1	BODY	BRASS	GOLD	1						
				UNLESS OTHERWISE SPECIFIED DIMENSIONS ARE IN MILLIMETERS. DIMENSIONS IN [ ] ARE IN INCHES AND FOR CUSTOMER REFERENCE ONLY.						
				UNLESS OTHERWISE SPECIFIED TOLERANCES FOR MILLIMETERS ARE: 0.5 - 8mm ± 0.20mm 8 - 30mm ± 0.40mm 30 - 120mm ± 0.50mm						
				UNLESS OTHERWISE SPECIFIED TOLERANCES FOR INCHES ARE: .020 - .315 = ± 0.007" .315 - 1.180 = ± 0.015" 1.180 - 4.724 = ± 0.020"						