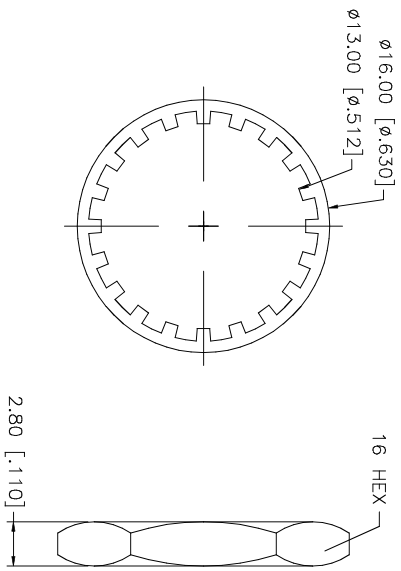
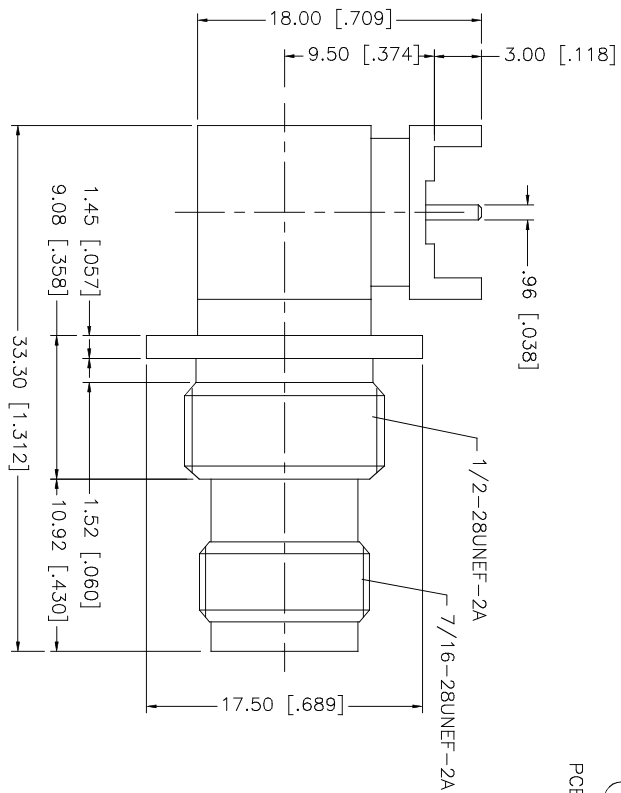
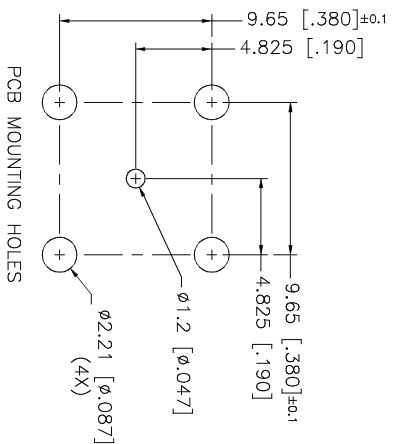
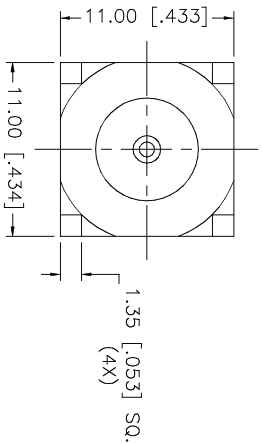


REV.	DATE	DESCRIPTION
A	09/30/03	MODIFY BASE DIMENSIONS
B	05/27/04	MODIFY BASE DIMENSIONS



NOTE:  
1. MAX. PANEL THICKNESS = 3mm

NO.	DESCRIPTION	MATERIAL	FINISH	QTY	UNLESS OTHERWISE SPECIFIED DIMENSIONS ARE IN INCHES AND FOR CUSTOMER REFERENCE ONLY.	APPROVALS	DATE	PART DESCRIPTION							
8					UNLESS OTHERWISE SPECIFIED DIMENSIONS ARE IN INCHES AND FOR CUSTOMER REFERENCE ONLY.			<b>Amphenol Connex</b> TNC REV. POLARITY R/A PCB MOUNT JACK 1222490RP							
7					UNLESS OTHERWISE SPECIFIED TOLERANCES FOR MILLIMETERS ARE:										
6	NECK NUT	BRASS	NICKEL	1	0.5 - 8mm ± 0.20mm	DRAWN	G.R.S.		05/27/04						
5	LOCK WASHER	BRASS	NICKEL	1	8 - 30mm ± 0.40mm	CHECKED									
4	CONTACT PIN	BRASS	GOLD	1	30 - 120mm ± 0.50mm	ISSUED									
3	INSULATOR	TEFLON	NATURAL	1	UNLESS OTHERWISE SPECIFIED TOLERANCES FOR INCHES ARE:	SHEET	1 OF 1								
2	BODY	BRASS	NICKEL	1	.020 - .315 = ± 0.007"										
1	HOUSING	BRASS	BRT. TIN	1	.315 - 1.180 = ± 0.015" 1.180 - 4.724 = ± 0.020"										
DESCRIPTION					MATERIAL	FINISH	QTY								
					DO NOT SCALE DRAWING	CAD FILE	C:/122/122490RP.DWG	DWG. NO.	122490RP.DWG	REV.	A	SIZE	A	SCALE	NA