

Distributed by:

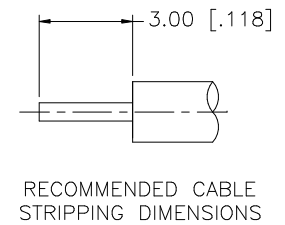
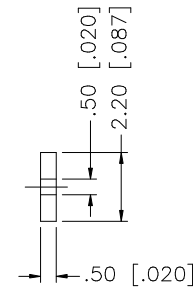
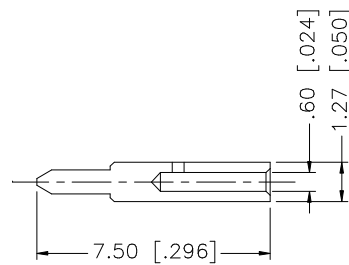
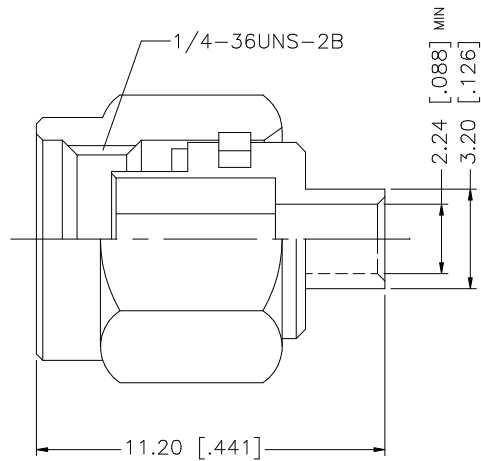
JAMECO[®]
ELECTRONICS

www.Jameco.com ♦ 1-800-831-4242

The content and copyrights of the attached
material are the property of its owner.

Jameco Part Number 296227

REV.	DATE	DESCRIPTION
A	01/09/98	ADD CONTACT PIN/ CHANGE I.D./ REDIMENSION
B	01/26/02	ADD CROSS SECTION OF BODY
C	07/22/02	INCREASE BODY LENGTH TO 11.20
D	05/14/03	UPDATE DRAWING FORMAT



8					UNLESS OTHERWISE SPECIFIED DIMENSIONS ARE IN MILLIMETERS. DIMENSIONS IN [] ARE IN INCHES AND FOR CUSTOMER REFERENCE ONLY.	APPROVALS	DATE	Amphenol Connex			
7						DRAWN	G.R.S.				
6					UNLESS OTHERWISE SPECIFIED TOLERANCES FOR MILLIMETERS ARE: 0.5 - 8mm ± 0.20mm 8 - 30mm ± 0.40mm 30 - 120mm ± 0.50mm	CHECKED		PART DESCRIPTION SMA SEMI-RIGID PLUG (FOR .085", .086" CABLE)			
5						ISSUED					
4	GASKET	SILICONE	RED	1	UNLESS OTHERWISE SPECIFIED TOLERANCES FOR INCHES ARE: .020 - .315 = ± 0.007" .315 - 1.180 = ± 0.015" 1.180 - 4.724 = ± 0.020"	SHEET	1 OF 1	PART NO. 132101			
3	CONTACT PIN	BRASS	GOLD	1							
2	INSULATOR	TEFLON	NATURAL	1					DWG. NO. 132101.DWG REV. NC SIZE A SCALE NA		
1	BODY	BRASS	GOLD	1							
	DESCRIPTION	MATERIAL	FINISH	QTY	DO NOT SCALE DRAWING	CAD FILE C:/132/132101.DWG					