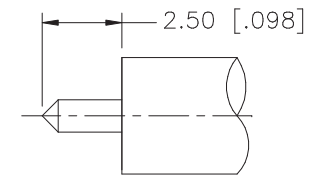
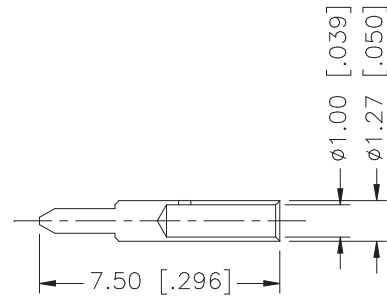
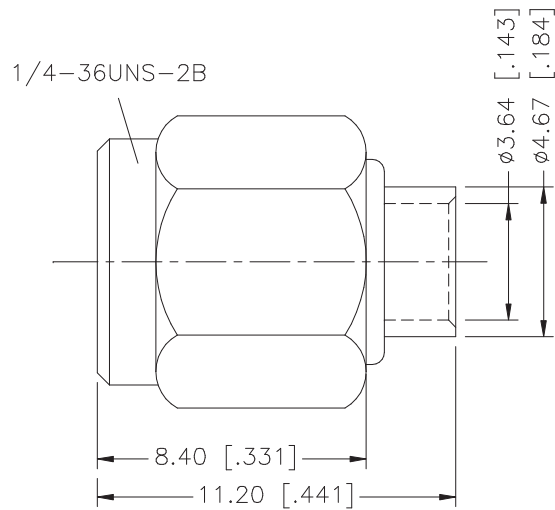


REV.	DATE	DESCRIPTION
C	04/31/03	UPDATE DRAWING FORMAT



RECOMMENDED CABLE STRIPPING DIMENSIONS

DESCRIPTION	MATERIAL	FINISH	QTY	DO NOT SCALE DRAWING	APPROVALS	DATE	<h1 style="text-align: center;">Amphenol Connex</h1>					
8					DRAWN	G.R.S.	04/31/03	SMA SEMI-RIGID PLUG (FOR .141" SEMI-RIGID CABLE)				
7					CHECKED							PART DESCRIPTION
6					ISSUED			PART NO.				
5	GASKET	SILICONE	RED	1	SHEET	1 OF 1		132102				
4	RETAINER RING	BER. COPPER	NATURAL	1	CAD FILE	C:/132/132102.DWG		DWG. NO.	132102.DWG	REV. C	SIZE A	SCALE NA
3	CONTACT PIN	BRASS	GOLD	1	<small>UNLESS OTHERWISE SPECIFIED DIMENSIONS ARE IN MILLIMETERS. DIMENSIONS IN [] ARE IN INCHES AND FOR CUSTOMER REFERENCE ONLY.</small> <small>UNLESS OTHERWISE SPECIFIED TOLERANCES FOR MILLIMETERS ARE: 0.5 - 8mm ± 0.20mm 8 - 30mm ± 0.40mm 30 - 120mm ± 0.50mm</small> <small>UNLESS OTHERWISE SPECIFIED TOLERANCES FOR INCHES ARE: .020 - .315 = ± 0.007" .315 - 1.180 = ± 0.015" 1.180 - 4.724 = ± 0.020"</small>							
2	INSULATOR	TEFLON	NATURAL	1								
1	SHELL/BODY	BRASS	GOLD	1								