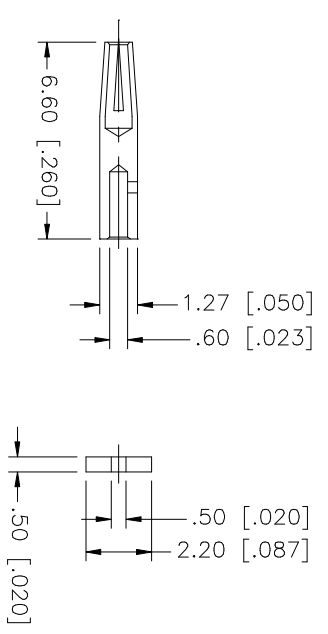
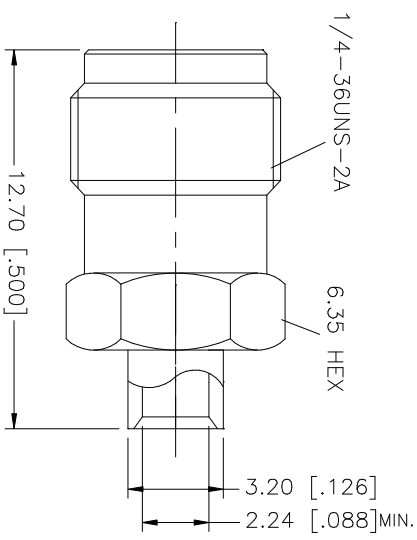
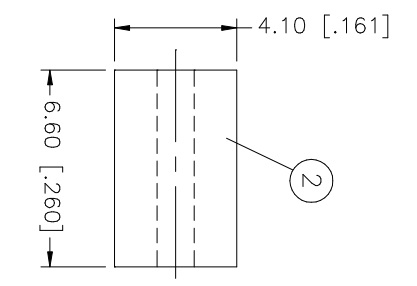
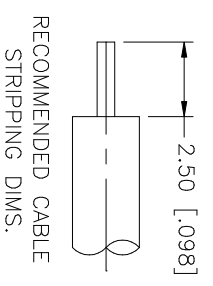


REV.	DATE	DESCRIPTION
NC	04/31/03	INITIAL RELEASE



NOTE:  
1. CONTACT PIN TO SOLDER

DESCRIPTION	MATERIAL	FINISH	QTY	DO NOT SCALE DRAWING	CAD FILE	APPROVALS	DATE	PART DESCRIPTION
1	INSULATOR	TEFLON	1	UNLESS OTHERWISE SPECIFIED DIMENSIONS ARE IN MILLIMETERS. DIMENSIONS IN [ ] ARE IN INCHES AND FOR CUSTOMER REFERENCE ONLY.	DRAWN	G.R.S.	04/31/03	<b>Amphenol Connex</b> SMA DIRECT SOLDER JACK (FOR .085", .086" CABLE)
2	CONTACT PIN	BER. COPPER	1	UNLESS OTHERWISE SPECIFIED TOLERANCES FOR MILLIMETERS ARE:	CHECKED			
3	INSULATOR	TEFLON	1	0.5 - 8mm ± 0.20mm	ISSUED			
4	INSULATOR	TEFLON	1	8 - 30mm ± 0.40mm	SHEET	1 OF 1		
5	INSULATOR	TEFLON	1	30 - 120mm ± 0.50mm				
6	INSULATOR	TEFLON	1	UNLESS OTHERWISE SPECIFIED TOLERANCES FOR INCHES ARE:				
7	INSULATOR	TEFLON	1	.020 - .315 = ± 0.007"				
8	INSULATOR	TEFLON	1	.315 - 1.180 = ± 0.015"				
9	INSULATOR	TEFLON	1	1.180 - 4.724 = ± 0.020"				
10	INSULATOR	TEFLON	1					
11	INSULATOR	TEFLON	1					
12	INSULATOR	TEFLON	1					
13	INSULATOR	TEFLON	1					
14	INSULATOR	TEFLON	1					
15	INSULATOR	TEFLON	1					
16	INSULATOR	TEFLON	1					
17	INSULATOR	TEFLON	1					
18	INSULATOR	TEFLON	1					
19	INSULATOR	TEFLON	1					
20	INSULATOR	TEFLON	1					
21	INSULATOR	TEFLON	1					
22	INSULATOR	TEFLON	1					
23	INSULATOR	TEFLON	1					
24	INSULATOR	TEFLON	1					
25	INSULATOR	TEFLON	1					
26	INSULATOR	TEFLON	1					
27	INSULATOR	TEFLON	1					
28	INSULATOR	TEFLON	1					
29	INSULATOR	TEFLON	1					
30	INSULATOR	TEFLON	1					
31	INSULATOR	TEFLON	1					
32	INSULATOR	TEFLON	1					
33	INSULATOR	TEFLON	1					
34	INSULATOR	TEFLON	1					
35	INSULATOR	TEFLON	1					
36	INSULATOR	TEFLON	1					
37	INSULATOR	TEFLON	1					
38	INSULATOR	TEFLON	1					
39	INSULATOR	TEFLON	1					
40	INSULATOR	TEFLON	1					
41	INSULATOR	TEFLON	1					
42	INSULATOR	TEFLON	1					
43	INSULATOR	TEFLON	1					
44	INSULATOR	TEFLON	1					
45	INSULATOR	TEFLON	1					
46	INSULATOR	TEFLON	1					
47	INSULATOR	TEFLON	1					
48	INSULATOR	TEFLON	1					
49	INSULATOR	TEFLON	1					
50	INSULATOR	TEFLON	1					
51	INSULATOR	TEFLON	1					
52	INSULATOR	TEFLON	1					
53	INSULATOR	TEFLON	1					
54	INSULATOR	TEFLON	1					
55	INSULATOR	TEFLON	1					
56	INSULATOR	TEFLON	1					
57	INSULATOR	TEFLON	1					
58	INSULATOR	TEFLON	1					
59	INSULATOR	TEFLON	1					
60	INSULATOR	TEFLON	1					
61	INSULATOR	TEFLON	1					
62	INSULATOR	TEFLON	1					
63	INSULATOR	TEFLON	1					
64	INSULATOR	TEFLON	1					
65	INSULATOR	TEFLON	1					
66	INSULATOR	TEFLON	1					
67	INSULATOR	TEFLON	1					
68	INSULATOR	TEFLON	1					
69	INSULATOR	TEFLON	1					
70	INSULATOR	TEFLON	1					
71	INSULATOR	TEFLON	1					
72	INSULATOR	TEFLON	1					
73	INSULATOR	TEFLON	1					
74	INSULATOR	TEFLON	1					
75	INSULATOR	TEFLON	1					
76	INSULATOR	TEFLON	1					
77	INSULATOR	TEFLON	1					
78	INSULATOR	TEFLON	1					
79	INSULATOR	TEFLON	1					
80	INSULATOR	TEFLON	1					
81	INSULATOR	TEFLON	1					
82	INSULATOR	TEFLON	1					
83	INSULATOR	TEFLON	1					
84	INSULATOR	TEFLON	1					
85	INSULATOR	TEFLON	1					
86	INSULATOR	TEFLON	1					
87	INSULATOR	TEFLON	1					
88	INSULATOR	TEFLON	1					
89	INSULATOR	TEFLON	1					
90	INSULATOR	TEFLON	1					
91	INSULATOR	TEFLON	1					
92	INSULATOR	TEFLON	1					
93	INSULATOR	TEFLON	1					
94	INSULATOR	TEFLON	1					
95	INSULATOR	TEFLON	1					
96	INSULATOR	TEFLON	1					
97	INSULATOR	TEFLON	1					
98	INSULATOR	TEFLON	1					
99	INSULATOR	TEFLON	1					
100	INSULATOR	TEFLON	1					