

Distributed by:

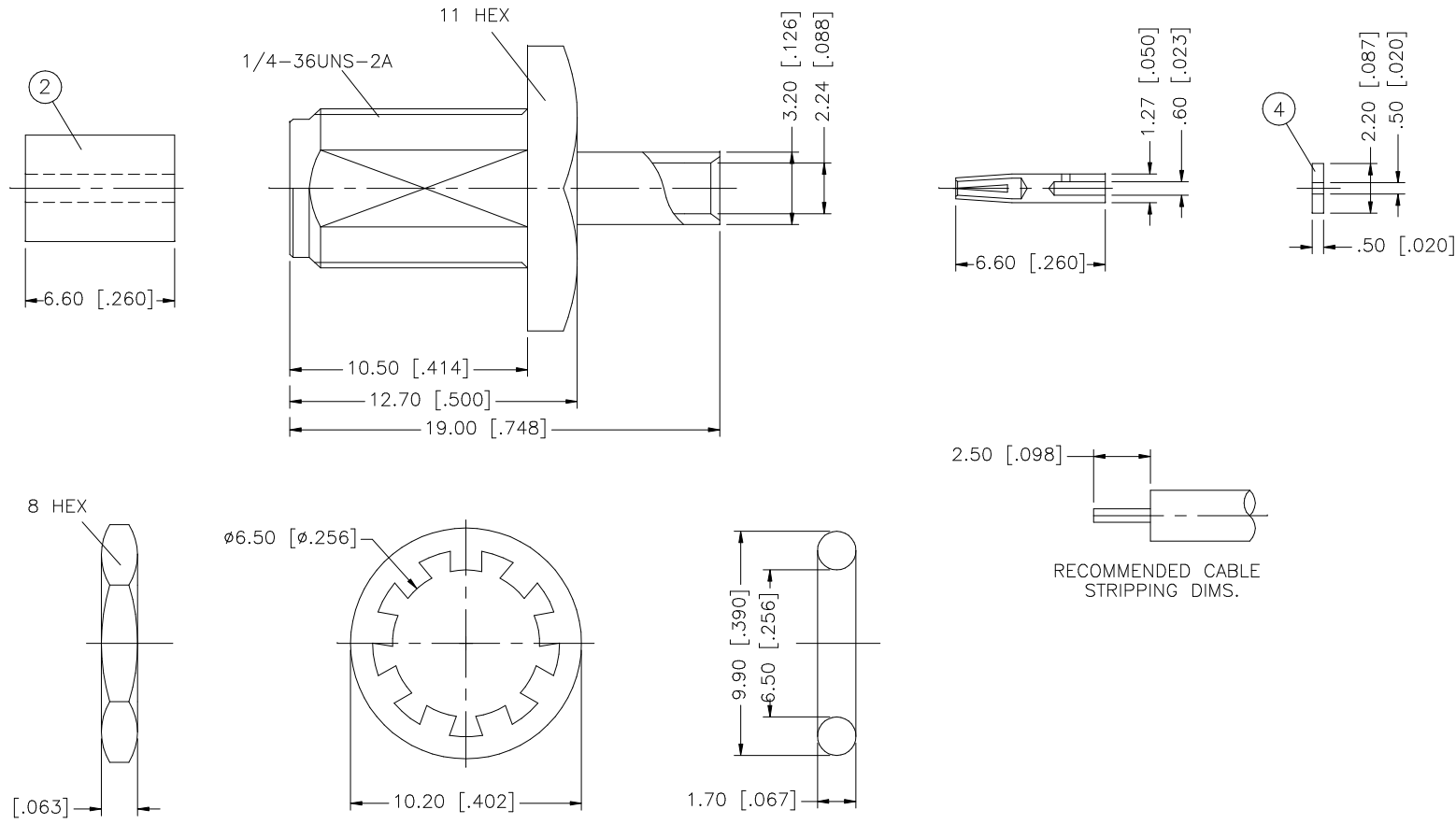
**JAMECO<sup>®</sup>**  
**ELECTRONICS**

[www.Jameco.com](http://www.Jameco.com) ♦ 1-800-831-4242

The content and copyrights of the attached  
material are the property of its owner.

Jameco Part Number 296251

REV.	DATE	DESCRIPTION
B	01/12/98	ADD INSULATOR/ STRIPPING DIM'S
C	02/11/99	MODIFY 'O'-RING DIMENSIONS
D	04/31/03	UPDATE DRAWING FORMAT



NOTE:  
 1. CONTACT PIN TO SOLDER.  
 2. MAX. PANEL THICKNESS = 2.4mm

DESCRIPTION	MATERIAL	FINISH	QTY	UNLESS OTHERWISE SPECIFIED DIMENSIONS ARE IN MILLIMETERS. DIMENSIONS IN [ ] ARE IN INCHES AND FOR CUSTOMER REFERENCE ONLY.	APPROVALS	DATE	Amphenol Connex				
8					DRAWN	G.R.S.	04/31/03	PART DESCRIPTION SMA DIRECT SOLDER BULKHEAD JACK (FOR .085", .086" SEMI-RIGID CABLE)			
7	FERRULE	BRASS	GOLD		CHECKED						
6	LOCK WASHER	BRASS	GOLD	1	ISSUED			PART NO. 132105			
5	GASKET	SILICONE	RED	1	SHEET	1 OF 1					
4	INSULATOR	TEFLON	NATURAL	1				DWG. NO. 132105.DWG			
3	CONTACT PIN	BER. COPPER	GOLD	1							
2	INSULATOR	TEFLON	NATURAL	1				REV. D			
1	BODY	BRASS	GOLD	1							
				UNLESS OTHERWISE SPECIFIED TOLERANCES FOR MILLIMETERS ARE: 0.5 - 8mm ± 0.20mm 8 - 30mm ± 0.40mm 30 - 120mm ± 0.50mm	DO NOT SCALE DRAWING		CAD FILE C:/132/132105.DWG		SCALE	A	NA
				UNLESS OTHERWISE SPECIFIED TOLERANCES FOR INCHES ARE: .020 - .315 = ± 0.007" .315 - 1.180 = ± 0.015" 1.180 - 4.724 = ± 0.020"							