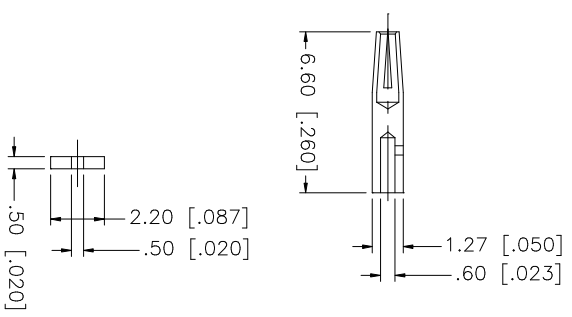
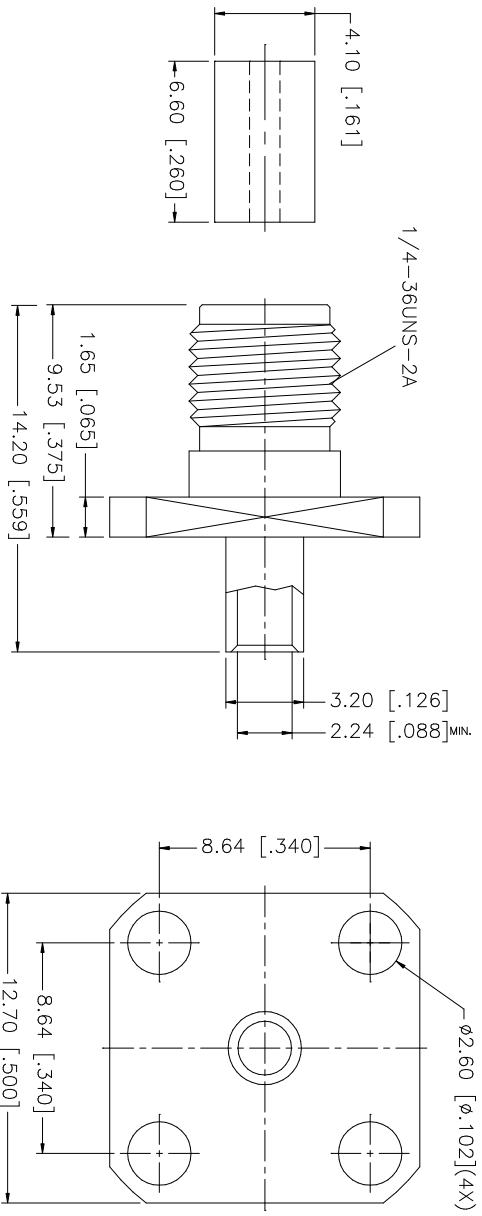
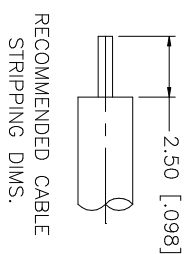


REV.	DATE	DESCRIPTION
NC	01/29/03	INITIAL RELEASE



NOTE: CONTACT PIN TO SOLDER

8																			
7																			
6																			
5																			
4	INSULATOR	TEFLON	NATURAL	1															
3	CONTACT PIN	BER: COPPER	GOLD	1															
2	INSULATOR	TEFLON	NATURAL	1															
1	BODY	BRASS	GOLD	1															
	DESCRIPTION	MATERIAL	FINISH	QTY															
					UNLESS OTHERWISE SPECIFIED DIMENSIONS ARE IN MILLIMETERS. DIMENSIONS IN () ARE IN INCHES AND FOR CUSTOMER REFERENCE ONLY.					UNLESS OTHERWISE SPECIFIED TOLERANCES FOR MILLIMETERS ARE: 0.5 - 8mm ± 0.20mm 8 - 30mm ± 0.40mm 30 - 120mm ± 0.50mm					UNLESS OTHERWISE SPECIFIED TOLERANCES FOR INCHES ARE: .020 - .315 = ± 0.007" .315 - 1.180 = ± 0.015" 1.180 - 4.724 = ± 0.020"				
					DO NOT SCALE DRAWING					APPROVALS DRAWN G.R.S. DATE 01/29/03 CHECKED ISSUED SHEET 1 OF 1					CAD FILE C:/132/132107.DWG DWG NO. 132107.DWG REV. NC SIZE A SCALE NA				
SMA SEMI-RIGID PANEL JACK (FOR .085", .086" CABLE) 132107																			