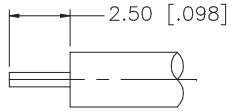
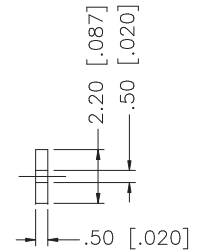
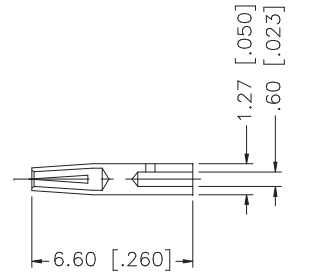
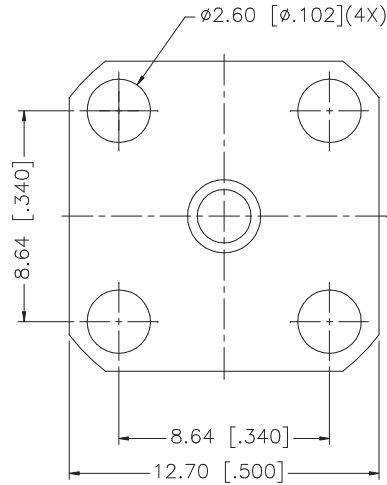
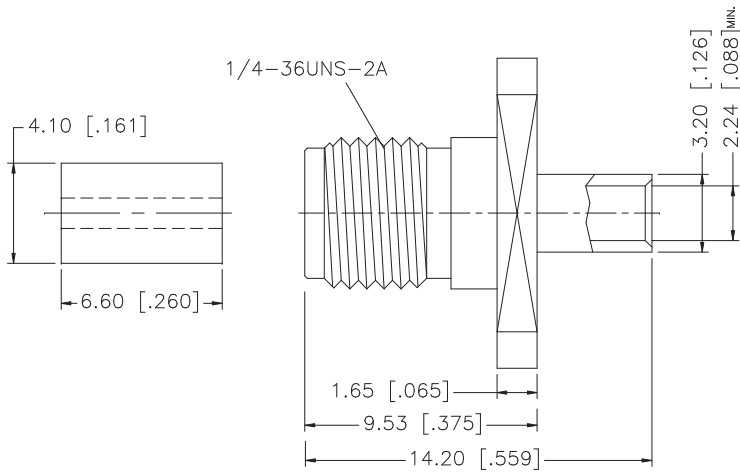


REV.	DATE	DESCRIPTION
NC	01/29/03	INITIAL RELEASE



RECOMMENDED CABLE STRIPPING DIMS.



NOTE: CONTACT PIN TO SOLDER

8					<small>UNLESS OTHERWISE SPECIFIED DIMENSIONS ARE IN MILLIMETERS. DIMENSIONS IN [ ] ARE IN INCHES AND FOR CUSTOMER REFERENCE ONLY.</small>  <small>UNLESS OTHERWISE SPECIFIED TOLERANCES FOR MILLIMETERS ARE:  0.5 - 8mm ± 0.20mm  8 - 30mm ± 0.40mm  30 - 120mm ± 0.50mm</small>  <small>UNLESS OTHERWISE SPECIFIED TOLERANCES FOR INCHES ARE:  .020 - .315 = ± 0.007"  .315 - 1.180 = ± 0.015"  1.180 - 4.724 = ± 0.020"</small>	APPROVALS	DATE	<h1 style="text-align: center;">Amphenol Connex</h1>						
7				DRAWN		G.R.S.	01/29/03							
6				CHECKED				PART DESCRIPTION <b>SMA SEMI-RIGID PANEL JACK (FOR .085", .086" CABLE)</b>						
5				ISSUED										
4	INSULATOR	TEFLON	NATURAL	1	SHEET	1 OF 1	PART NO. <b>132107</b>							
3	CONTACT PIN	BER. COPPER	GOLD	1										
2	INSULATOR	TEFLON	NATURAL	1	CAD FILE	C:/132/132107.DWG	DWG. NO.	132107.DWG	REV.	NC	SIZE	A	SCALE	NA
1	BODY	BRASS	GOLD	1										
	DESCRIPTION	MATERIAL	FINISH	QTY	DO NOT SCALE DRAWING									