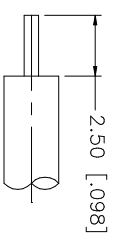
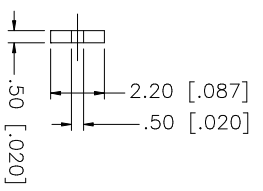
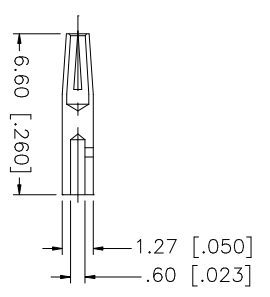
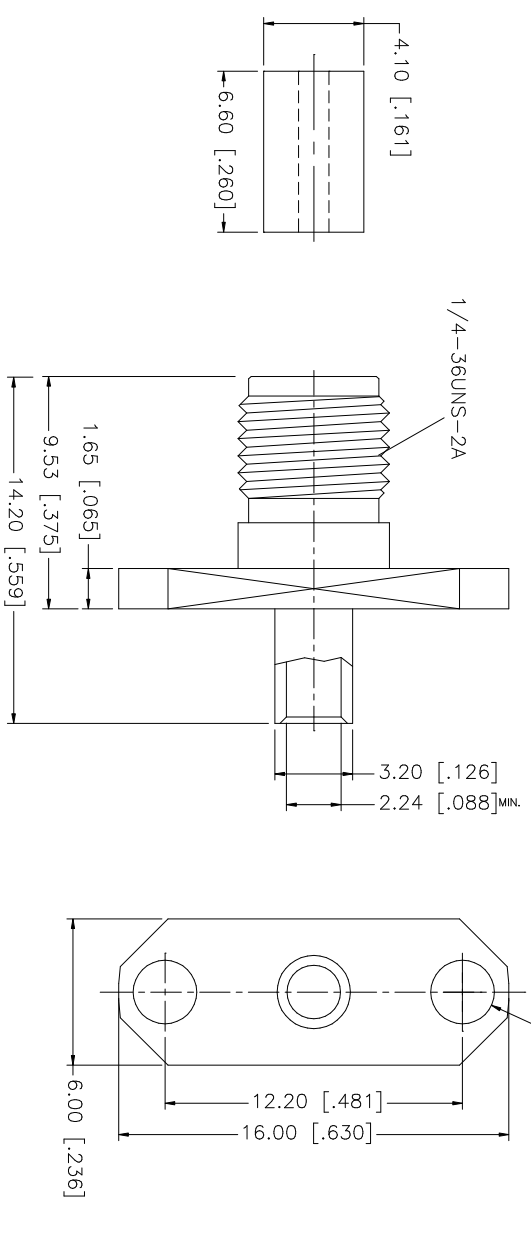


REV.	DATE	DESCRIPTION
NC	01/29/03	INITIAL RELEASE



RECOMMENDED CABLE STRIPPING DIMS.



NOTE: CONTACT PIN TO SOLDER

8																			
7																			
6																			
5																			
4	INSULATOR	TEFLON	NATURAL	1															
3	CONTACT PIN	BER. COPPER	GOLD	1															
2	INSULATOR	TEFLON	NATURAL	1															
1	BODY	BRASS	GOLD	1															
	DESCRIPTION	MATERIAL	FINISH	QTY															
					UNLESS OTHERWISE SPECIFIED DIMENSIONS ARE IN MILLIMETERS, DIMENSIONS IN () ARE IN INCHES AND FOR CUSTOMER REFERENCE ONLY. TOLERANCES FOR MILLIMETERS ARE: 0.5 - 8mm ± 0.20mm 8 - 30mm ± 0.40mm 30 - 120mm ± 0.50mm UNLESS OTHERWISE SPECIFIED TOLERANCES FOR INCHES ARE: .020 - .315 = ± 0.007" .315 - 1.180 = ± 0.015" 1.180 - 4.724 = ± 0.020"					APPROVALS DRAWN G.R.S. 01/29/03 CHECKED ISSUED SHEET 1 OF 1					DATE 01/29/03 PART DESCRIPTION SMA SEMI-RIGID PANEL JACK (FOR .085", .086" CABLE) PART NO. 132109				
DO NOT SCALE DRAWING					CAD FILE C:/132/132109.DWG					DWG. NO. 132109.DWG					REV. NC SIZE A SCALE NA				

Amphenol Connex