

Distributed by:

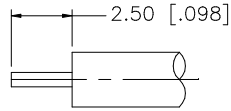
**JAMECO<sup>®</sup>**  
**ELECTRONICS**

[www.Jameco.com](http://www.Jameco.com) ♦ 1-800-831-4242

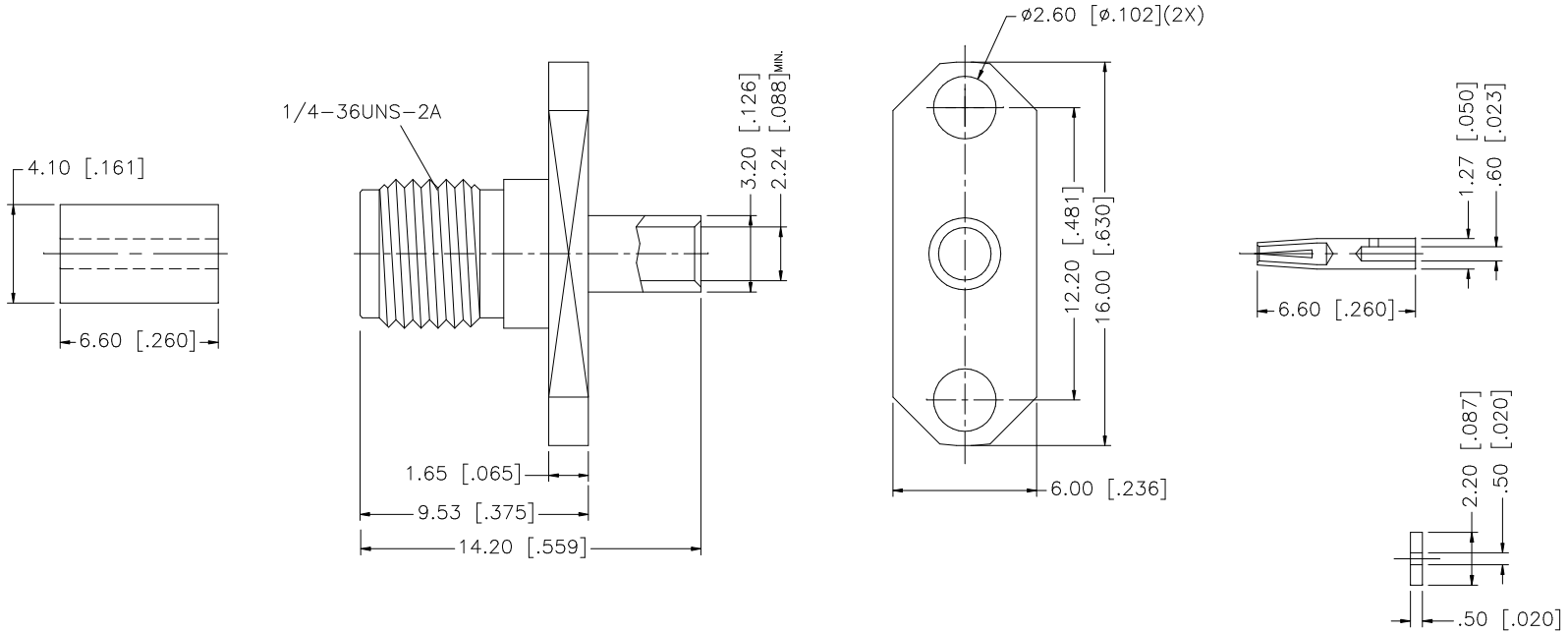
The content and copyrights of the attached  
material are the property of its owner.

Jameco Part Number 296286

REV.	DATE	DESCRIPTION
NC	01/29/03	INITIAL RELEASE



RECOMMENDED CABLE STRIPPING DIMS.



NOTE: CONTACT PIN TO SOLDER

8					UNLESS OTHERWISE SPECIFIED DIMENSIONS ARE IN MILLIMETERS. DIMENSIONS IN [ ] ARE IN INCHES AND FOR CUSTOMER REFERENCE ONLY.  UNLESS OTHERWISE SPECIFIED TOLERANCES FOR MILLIMETERS ARE: 0.5 - 8mm ± 0.20mm 8 - 30mm ± 0.40mm 30 - 120mm ± 0.50mm  UNLESS OTHERWISE SPECIFIED TOLERANCES FOR INCHES ARE: .020 - .315 = ± 0.007" .315 - 1.180 = ± 0.015" 1.180 - 4.724 = ± 0.020"	APPROVALS	DATE	<h1 style="color: blue; text-align: center;">Amphenol Connex</h1>				
7				DRAWN		G.R.S.	01/29/03					PART DESCRIPTION
6						CHECKED			SMA SEMI-RIGID PANEL JACK (FOR .085", .086" CABLE)			
5						ISSUED			PART NO.			
4	INSULATOR	TEFLON	NATURAL	1				132109				
3	CONTACT PIN	BER. COPPER	GOLD	1				DWG. NO. 132109.DWG				
2	INSULATOR	TEFLON	NATURAL	1				REV. NC				
1	BODY	BRASS	GOLD	1				SIZE A				
	DESCRIPTION	MATERIAL	FINISH	QTY	DO NOT SCALE DRAWING	CAD FILE	C:/132/132109.DWG	SCALE NA				