

Distributed by:

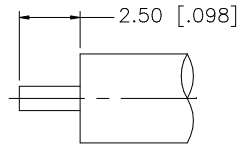
JAMECO[®]
ELECTRONICS

www.Jameco.com ♦ 1-800-831-4242

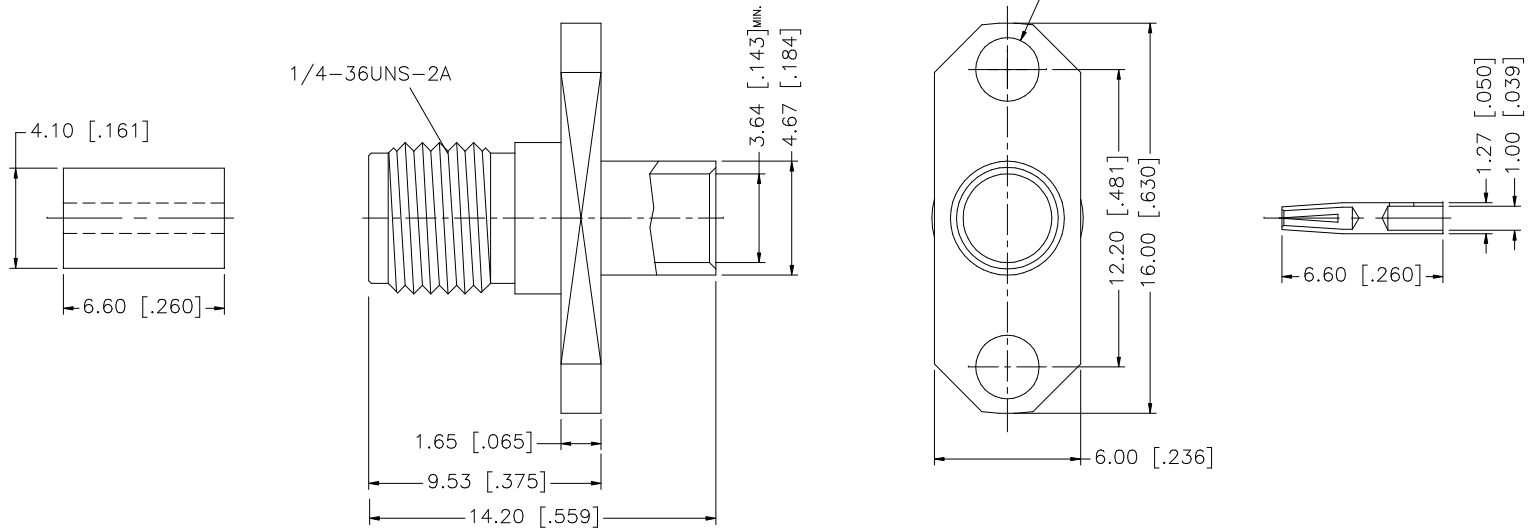
The content and copyrights of the attached
material are the property of its owner.

Jameco Part Number 658734

REV.	DATE	DESCRIPTION
NC	02/24/03	INITIAL RELEASE



RECOMMENDED CABLE STRIPPING DIMS.



NOTE: CONTACT PIN TO SOLDER

8					UNLESS OTHERWISE SPECIFIED DIMENSIONS ARE IN MILLIMETERS. DIMENSIONS IN [] ARE IN INCHES AND FOR CUSTOMER REFERENCE ONLY. UNLESS OTHERWISE SPECIFIED TOLERANCES FOR MILLIMETERS ARE: 0.5 - 8mm ± 0.20mm 8 - 30mm ± 0.40mm 30 - 120mm ± 0.50mm UNLESS OTHERWISE SPECIFIED TOLERANCES FOR INCHES ARE: .020 - .315 = ± 0.007" .315 - 1.180 = ± 0.015" 1.180 - 4.724 = ± 0.020"	APPROVALS	DATE	<h1 style="color: blue; margin: 0;">Amphenol Connex</h1>						
7				DRAWN		G.R.S.	02/24/03							
6				CHECKED				PART DESCRIPTION SMA DIRECT SOLDER PANEL JACK (FOR .141" SEMI-RIGID CABLE)						
5				ISSUED										
4				SHEET		1 OF 1		PART NO. 132110						
3	CONTACT PIN	BER. COPPER	GOLD	1	CAD FILE	C:/132/132110.DWG	DWG. NO.					132110.DWG	REV.	NC
2	INSULATOR	TEFLON	NATURAL	1										
1	BODY	BRASS	GOLD	1										
	DESCRIPTION	MATERIAL	FINISH	QTY	DO NOT SCALE DRAWING									