

Distributed by:

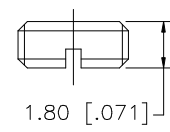
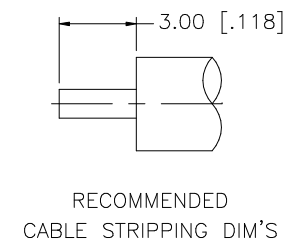
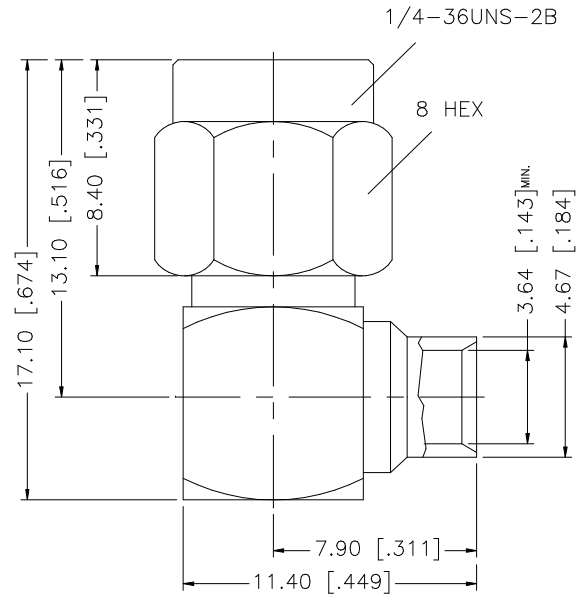
JAMECO[®]
ELECTRONICS

www.Jameco.com ♦ 1-800-831-4242

The content and copyrights of the attached
material are the property of its owner.

Jameco Part Number 296307

REV.	DATE	DESCRIPTION
NC	05/22/03	INITIAL RELEASE



8				
7	COVER	BRASS	GOLD	1
6	GASKET	SILICONE	RED	1
5	RETAINER RING	BER. COPPER	NATURAL	1
4	CONTACT PIN	BRASS	GOLD	1
3	INSULATOR	TEFLON	NATURAL	1
2	BODY	BRASS	GOLD	1
1	SHELL	BRASS	GOLD	1
	DESCRIPTION	MATERIAL	FINISH	QTY

UNLESS OTHERWISE SPECIFIED DIMENSIONS ARE IN MILLIMETERS. DIMENSIONS IN [] ARE IN INCHES AND FOR CUSTOMER REFERENCE ONLY.

UNLESS OTHERWISE SPECIFIED TOLERANCES FOR MILLIMETERS ARE:
0.5 - 8mm ± 0.20mm
8 - 30mm ± 0.40mm
30 - 120mm ± 0.50mm

UNLESS OTHERWISE SPECIFIED TOLERANCES FOR INCHES ARE:
.020 - .315 = ± 0.007"
.315 - 1.180 = ± 0.015"
1.180 - 4.724 = ± 0.020"

DO NOT SCALE DRAWING

APPROVALS	DATE
DRAWN G.R.S.	05/22/03
CHECKED	
ISSUED	
SHEET 1 OF 1	
CAD FILE	C:/132/132112.DWG

<h1>Amphenol Connex</h1>			
PART DESCRIPTION			
SMA R/A DIRECT SOLDER PLUG (FOR .141" SEMI-RIGID CABLE)			
PART NO.			
132112			
DWG. NO.	132112.DWG	REV.	NC
SIZE	A	SCALE	NA