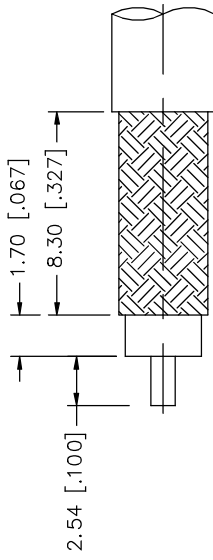
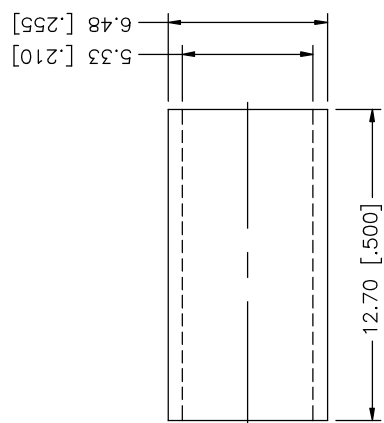
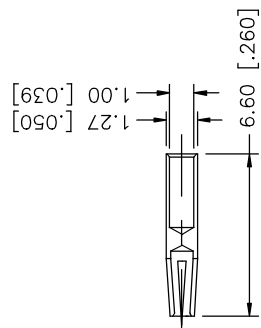
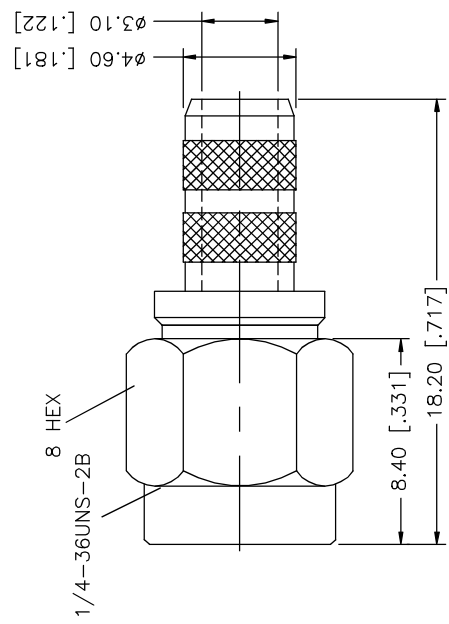


REV.	DATE	DESCRIPTION
NC	06/05/03	UPDATE DRAWING FORMAT



RECOMMENDED
CABLE STRIPPING DIM'S



NOTE:
1. CRIMPED FERRULE
HEX CRIMP SIZE .213"
2. CONTACT PIN TO SOLDER

REV.	DATE	DESCRIPTION
NC	06/05/03	UPDATE DRAWING FORMAT
Amphenol Connex		
SMA REVERSE POLARITY CRIMP PLUG (FOR RG-58C/U, 58/U CABLE)		
PART DESCRIPTION		
132113RP		
PART NO.		
DWG. NO.	REV.	SCALE
132113RP.DWG	NC	A
CAD FILE	C:/132/132113RP.DWG	
APPROVALS	DATE	
DRAWN G.R.S.	06/05/03	
CHECKED		
ISSUED		
SHEET 1 OF 1		
UNLESS OTHERWISE SPECIFIED DIMENSIONS ARE IN MILLIMETERS. DIMENSIONS IN [] ARE IN INCHES AND FOR CUSTOMER REFERENCE ONLY.		
UNLESS OTHERWISE SPECIFIED TOLERANCES FOR MILLIMETERS ARE:		
0.5 - 8mm	± 0.20mm	
8 - 30mm	± 0.40mm	
30 - 120mm	± 0.50mm	
UNLESS OTHERWISE SPECIFIED TOLERANCES FOR INCHES ARE:		
.020 - .315	± 0.007"	
.315 - 1.180	± 0.015"	
1.180 - 4.724	± 0.020"	
DO NOT SCALE DRAWING		
DESCRIPTION	MATERIAL	FINISH
FERRULE	COPPER	GOLD
CONTACT PIN	BER. COPPER	GOLD
INSULATOR BODY	TEFLON BRASS	NATURAL GOLD
QTY		