

Distributed by:

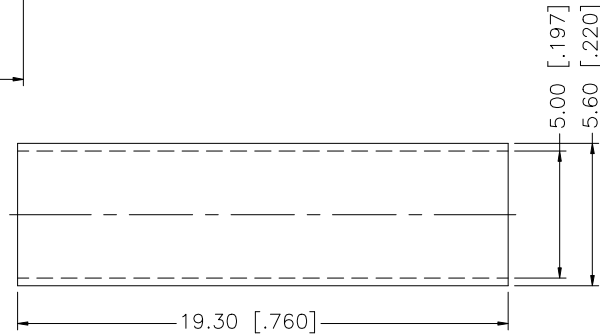
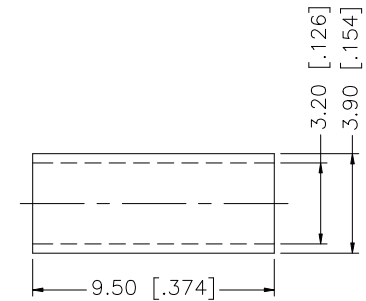
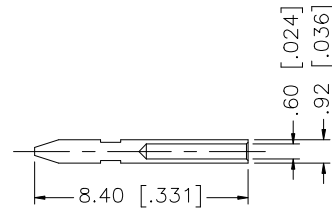
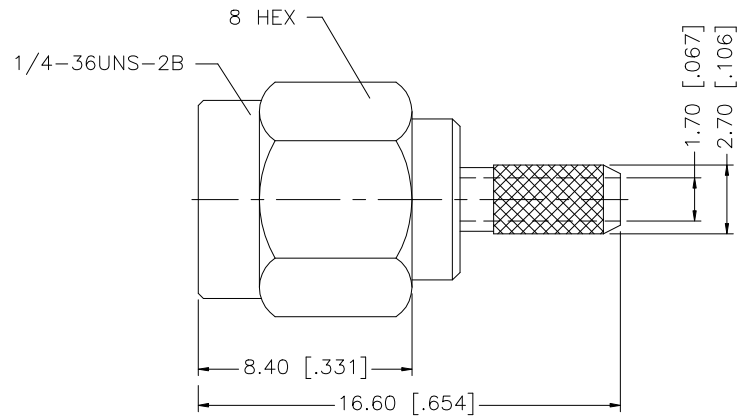
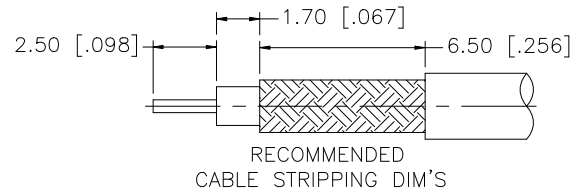
JAMECO[®]
ELECTRONICS

www.Jameco.com ♦ 1-800-831-4242

The content and copyrights of the attached
material are the property of its owner.

Jameco Part Number 296323

REV.	DATE	DESCRIPTION
NC	02/04/03	UPDATE DRAWING FORMAT



NOTE:

1. CRIMPED FERRULE
HEX CRIMP SIZE .128"

DESCRIPTION	MATERIAL	FINISH	QTY	DO NOT SCALE DRAWING	APPROVALS	DATE	Amphenol Connex							
8					DRAWN	G.R.S.	02/04/03	PART DESCRIPTION SMA CRIMP PLUG (RG-174/U, 188A/U, 316/U)						
7	HEAT SHRINK TUBING				CHECKED									
6	FERRULE	COPPER	GOLD	1	ISSUED			PART NO. 132114						
5	CONTACT PIN	BRASS	GOLD	1	SHEET	1 OF 1								
4	GASKET	SILICONE	RED	1	CAD FILE	C:/132/132114.DWG	DWG. NO.	132114.DWG	REV.	NC	SIZE	A	SCALE	NA
3	RETAINER RING	BER. COPPER	NATURAL	1										
2	INSULATOR	TEFLON	NATURAL	1										
1	SHELL/BODY	BRASS	GOLD	1										

UNLESS OTHERWISE SPECIFIED DIMENSIONS ARE IN MILLIMETERS. DIMENSIONS IN [] ARE IN INCHES AND FOR CUSTOMER REFERENCE ONLY.

UNLESS OTHERWISE SPECIFIED TOLERANCES FOR MILLIMETERS ARE:
0.5 - 8mm ± 0.20mm
8 - 30mm ± 0.40mm
30 - 120mm ± 0.50mm

UNLESS OTHERWISE SPECIFIED TOLERANCES FOR INCHES ARE:
.020 - .315 = ± 0.007"
.315 - 1.180 = ± 0.015"
1.180 - 4.724 = ± 0.020"