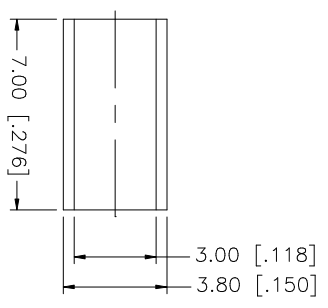
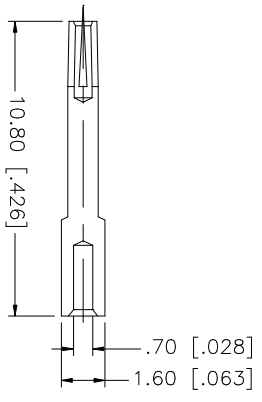
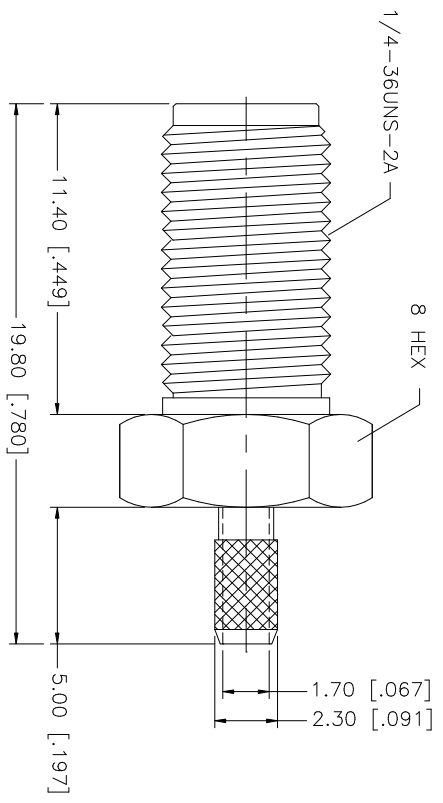
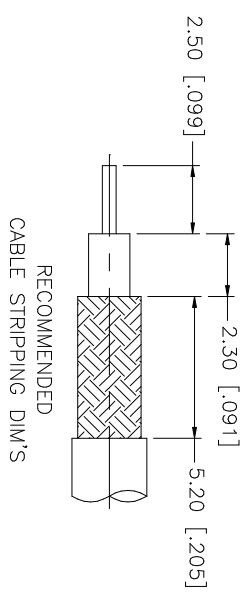


REV.	DATE	DESCRIPTION
A	01/20/04	UPDATE DRAWING FORMAT



NOTE:  
 1. CRIMPED FERRULE  
 HEX. CRIMP SIZE .128"  
 2. CONTACT PIN TO SOLDER.

QTY	FINISH	MATERIAL	DESCRIPTION
1	GOLD	COPPER	FERRULE
1	GOLD	BER. COPPER	CONTACT PIN
1	NATURAL	TEFLON	INSULATOR
1	GOLD	BRASS	BODY

UNLESS OTHERWISE SPECIFIED DIMENSIONS ARE IN MILLIMETERS. DIMENSIONS IN [ ] ARE IN INCHES AND FOR CUSTOMER REFERENCE ONLY.
UNLESS OTHERWISE SPECIFIED TOLERANCES FOR MILLIMETERS ARE: 0.5 - 8mm ± 0.20mm 8 - 30mm ± 0.40mm 30 - 120mm ± 0.50mm
UNLESS OTHERWISE SPECIFIED TOLERANCES FOR INCHES ARE: .020 - .315 = ± 0.007" .315 - 1.180 = ± 0.015" 1.180 - 4.724 = ± 0.020"
DO NOT SCALE DRAWING

APPROVALS	DATE
DRAWN G.R.S.	01/20/04
CHECKED	
ISSUED	
SHEET 1 OF 1	

PART DESCRIPTION	PART NO.
SMA CRIMP JACK (FOR RG-174/U, 188A/U, 316/U CABLE)	132117

CAD FILE	DWG. NO.	REV.	SIZE	SCALE
C:/132/132117.DWG	132117.DWG	A	A	NA

**Amphenol Connex**