

Distributed by:

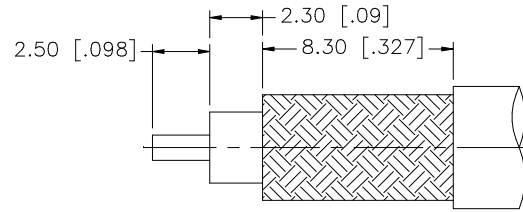
**JAMECO<sup>®</sup>**  
**ELECTRONICS**

[www.Jameco.com](http://www.Jameco.com) ♦ 1-800-831-4242

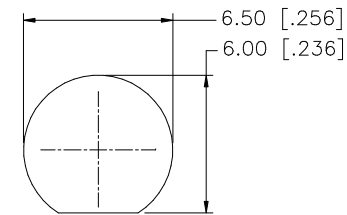
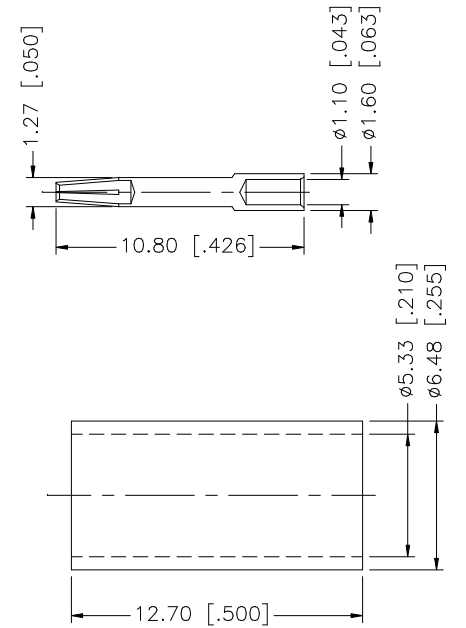
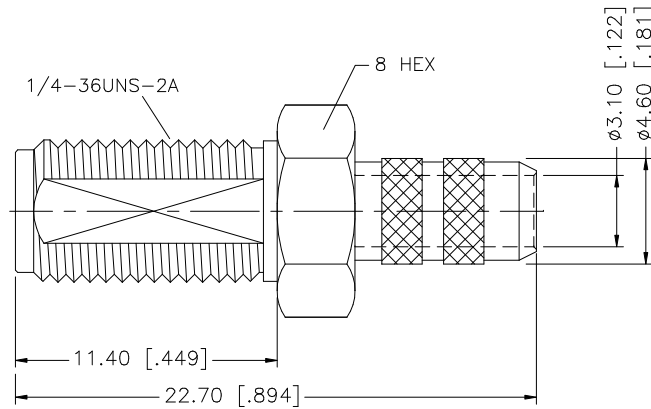
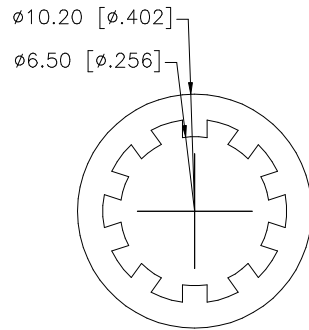
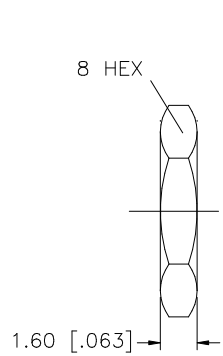
The content and copyrights of the attached  
material are the property of its owner.

Jameco Part Number 658849

REV.	DATE	DESCRIPTION
A	01/23/04	UPDATE DRAWING FORMAT



RECOMMENDED  
CABLE STRIPPING DIM'S



RECOMMENDED  
MOUNTING HOLES

8				
7				
6	FERRULE	COPPER	GOLD	1
5	LOCK WASHER	BRASS	GOLD	1
4	HEX NUT	BRASS	GOLD	1
3	CONTACT PIN	BER. COPPER	GOLD	1
2	INSULATOR	TEFLON	NATURAL	1
1	BODY	BRASS	GOLD	1
	DESCRIPTION	MATERIAL	FINISH	QTY

UNLESS OTHERWISE SPECIFIED DIMENSIONS ARE IN MILLIMETERS. DIMENSIONS IN [ ] ARE IN INCHES AND FOR CUSTOMER REFERENCE ONLY.

UNLESS OTHERWISE SPECIFIED TOLERANCES FOR MILLIMETERS ARE:  
0.5 - 8mm ± 0.20mm  
8 - 30mm ± 0.40mm  
30 - 120mm ± 0.50mm

UNLESS OTHERWISE SPECIFIED TOLERANCES FOR INCHES ARE:  
.020 - .315 = ± 0.007"  
.315 - 1.180 = ± 0.015"  
1.180 - 4.724 = ± 0.020"

DO NOT SCALE DRAWING

APPROVALS	DATE
DRAWN G.R.S.	01/23/04
CHECKED	
ISSUED	
SHEET 1 OF 1	
CAD FILE C:/132/132118.DWG	

# Amphenol Connex

PART DESCRIPTION	SMA BULKHEAD CRIMP JACK (FOR RG-58C/U, 58/U CABLE)		
PART NO.	132118		
DWG. NO.	132118.DWG	REV. A	SIZE A
			SCALE NA