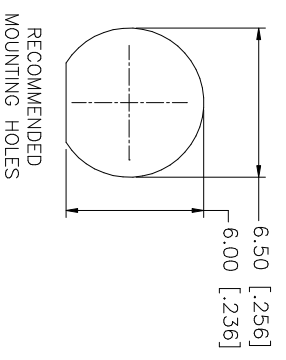
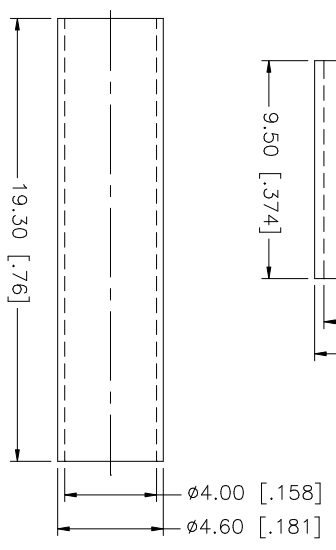
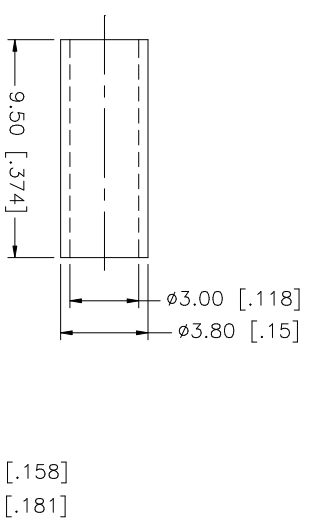
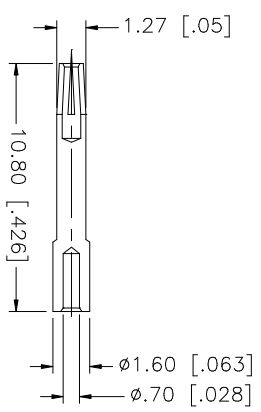
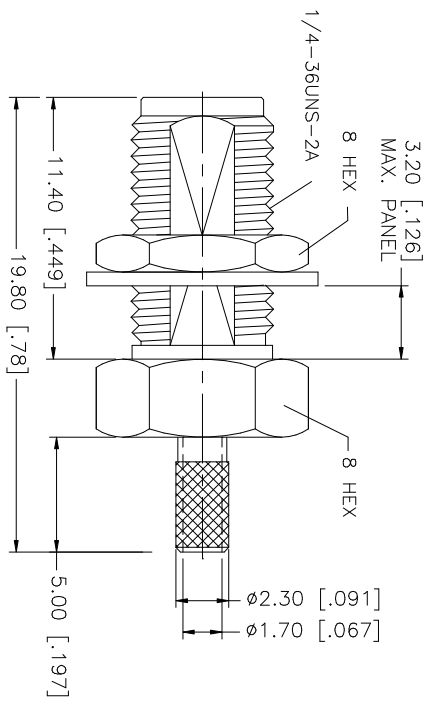
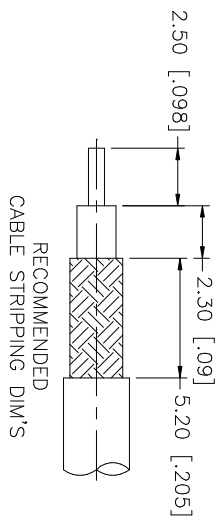


REV.	DATE	DESCRIPTION
A	01/29/00	UPDATE FERRULE
B	01/02/01	MODIFY BARREL / ADD HEAT SHRINK
C	04/31/03	UPDATE DRAWING FORMAT



- CRIMP NOTES:
1. CRIMPED FERRULE
HEX CRIMP SIZE .128"
 2. CONTACT PIN TO SOLDER
 3. MAX. PANEL THICKNESS = 3.2mm

QTY	DESCRIPTION	MATERIAL	FINISH	QTY	DO NOT SCALE DRAWING	APPROVALS	DATE	PART DESCRIPTION
1	HEAT SHRINK TUBING							Amphenol Connex SMA BULKHEAD CRIMP JACK (FOR RG-174/U, 188A/U, 316/U CABLE)
1	FERRULE	COPPER	GOLD					
1	LOCK WASHER	BRASS	GOLD					
1	HEX NUT	BRASS	GOLD					
1	CONTACT PIN	BER. COPPER	GOLD					
1	INSULATOR	TEFLON	NATURAL					
1	BODY	BRASS	GOLD					
	DESCRIPTION	MATERIAL	FINISH	QTY				

UNLESS OTHERWISE SPECIFIED DIMENSIONS ARE IN MILLIMETERS DIMENSIONS IN [] ARE IN INCHES AND FOR CUSTOMER REFERENCE ONLY.

UNLESS OTHERWISE SPECIFIED TOLERANCES FOR MILLIMETERS ARE:
 0.5 - 8mm ± 0.20mm
 8 - 30mm ± 0.40mm
 30 - 120mm ± 0.50mm

UNLESS OTHERWISE SPECIFIED TOLERANCES FOR INCHES ARE:
 .020 - .315 = ± 0.007"
 .315 - 1.180 = ± 0.015"
 1.180 - 4.724 = ± 0.020"

CAD FILE C:/132/132119.DWG

DWG. NO. 132119.DWG

REV. C

SIZE A

SCALE NA