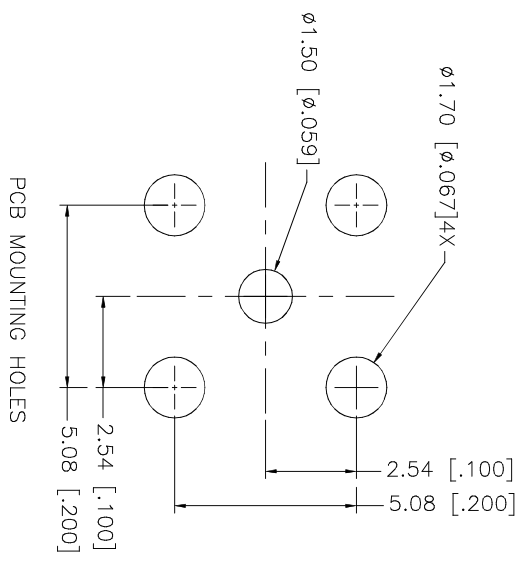
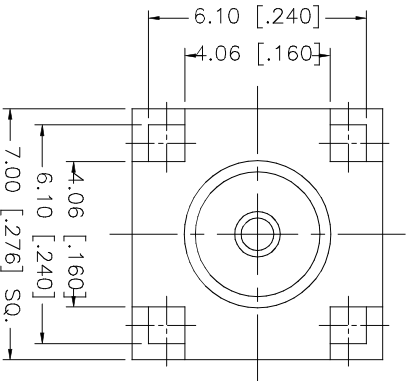
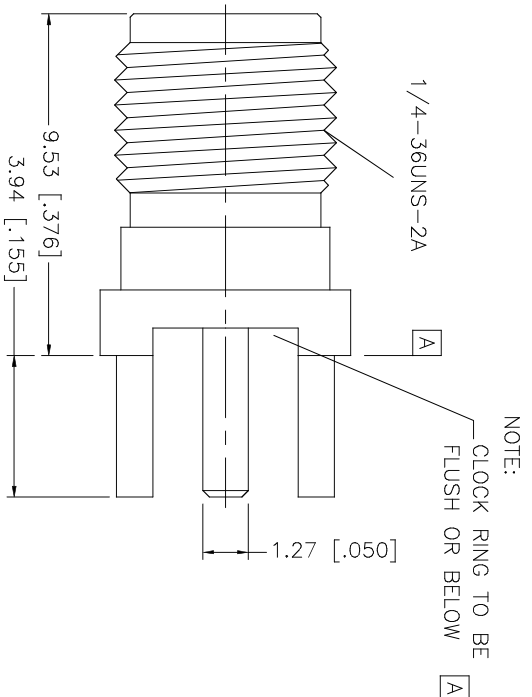


REV.	DATE	DESCRIPTION
NC	05/31/06	INITIAL RELEASE



QTY	FINISH	MATERIAL	DESCRIPTION
1	GOLD	BRASS	BODY
1	NATURAL	TEFLON	INSULATOR
1	GOLD	BRASS	CONTACT PIN
1	NATURAL	TEFLON	INSULATOR
1	GOLD	BRASS	RING

UNLESS OTHERWISE SPECIFIED DIMENSIONS ARE IN INCHES AND FOR CUSTOMER REFERENCE ONLY.	UNLESS OTHERWISE SPECIFIED DIMENSIONS ARE IN MILLIMETERS FOR MILLIMETER AGE.
0.020 - .315 = ± 0.007"	0.5 - 8mm ± 0.20mm
.315 - 1.180 = ± 0.015"	8 - 30mm ± 0.40mm
1.180 - 4.724 = ± 0.020"	30 - 120mm ± 0.50mm

APPROVALS	DATE
DRAWN G.R.S.	05/31/06
CHECKED	
ISSUED	

PART DESCRIPTION	PART NO.
SMA REVERSE POLARITY P.C.B. JACK	132134RP

DO NOT SCALE DRAWING	CAD FILE	DWG. NO.	REV.	NC	SIZE	SCALE
	C:/132/132134RP.DWG				A	N/A

**Amphenol Connex**