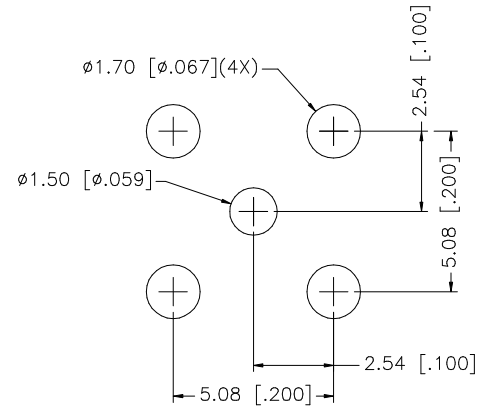
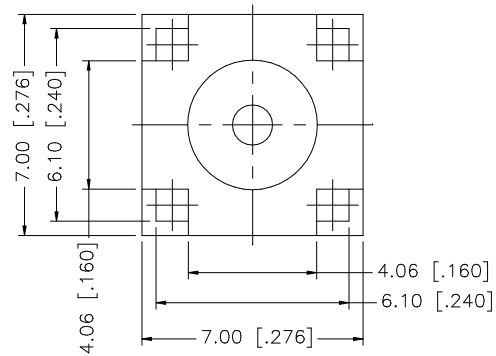
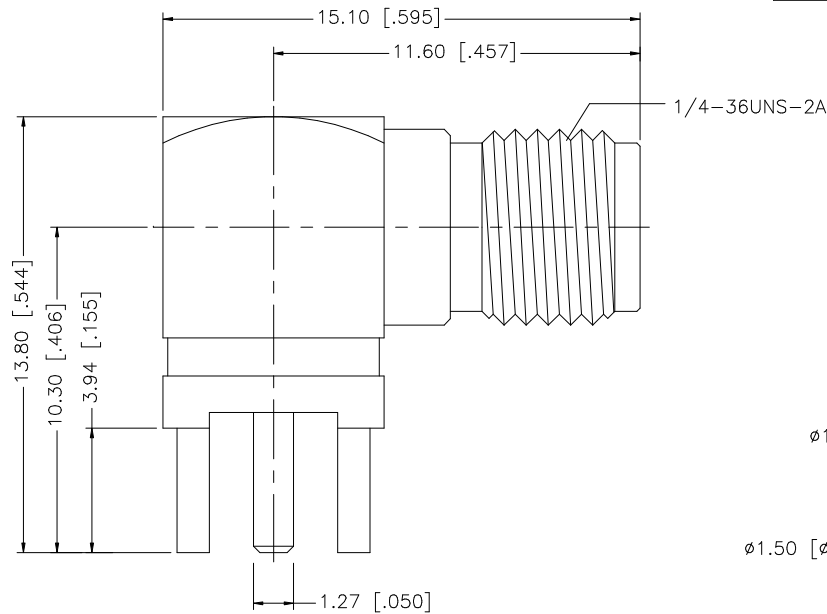


REV.	DATE	DESCRIPTION
A	07/27/97	INITIAL RELEASE
B	02/04/03	UPDATE DRAWING FORMAT



PCB MOUNTING HOLES

8				
7				
6				
5				
4	INSULATOR	TEFLON	NATURAL	1
3	CONTACT PIN	BER. COPPER	GOLD	1
2	INSULATOR	TEFLON	NATURAL	1
1	HOUSING/BODY	BRASS	GOLD	1
	DESCRIPTION	MATERIAL	FINISH	QTY

UNLESS OTHERWISE SPECIFIED DIMENSIONS ARE IN MILLIMETERS. DIMENSIONS IN [ ] ARE IN INCHES AND FOR CUSTOMER REFERENCE ONLY.

UNLESS OTHERWISE SPECIFIED TOLERANCES FOR MILLIMETERS ARE:  
0.5 - 8mm ± 0.20mm  
8 - 30mm ± 0.40mm  
30 - 120mm ± 0.50mm

UNLESS OTHERWISE SPECIFIED TOLERANCES FOR INCHES ARE:  
.020 - .315 = ± 0.007"  
.315 - 1.180 = ± 0.015"  
1.180 - 4.724 = ± 0.020"

DO NOT SCALE DRAWING

APPROVALS	DATE
DRAWN G.R.S.	02/04/03
CHECKED	
ISSUED	
SHEET 1 OF 1	
CAD FILE C:/132/132136.DWG	

<b>Amphenol Connex</b>			
PART DESCRIPTION SMA R/A P.C. MOUNT JACK			
PART NO. 132136			
DWG. NO.	132136.DWG	REV.	B
SIZE	A	SCALE	NA