

Distributed by:

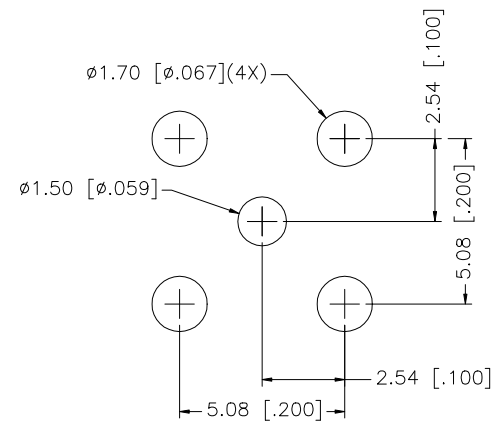
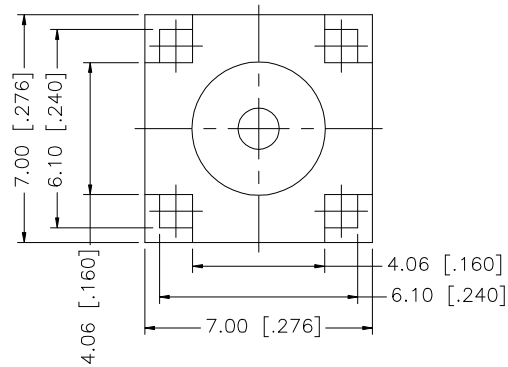
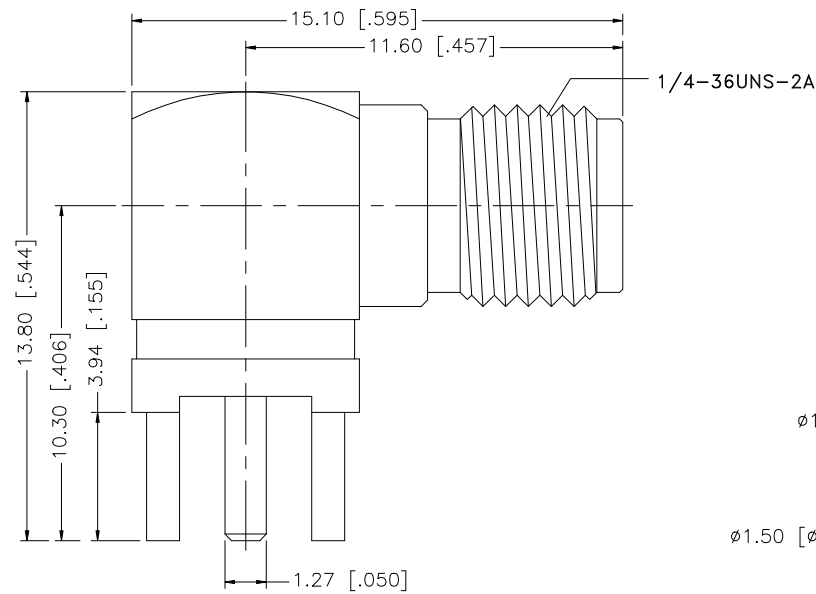
**JAMECO<sup>®</sup>**  
**ELECTRONICS**

[www.Jameco.com](http://www.Jameco.com) ♦ 1-800-831-4242

The content and copyrights of the attached  
material are the property of its owner.

Jameco Part Number 658996

REV.	DATE	DESCRIPTION
A	7/27/97	CHANGE CONTACT PIN MATERIAL
B	02/04/03	UPDATE DRAWING FORMAT



PCB MOUNTING HOLES

REV.	DATE	DESCRIPTION		
8				
7				
6				
5				
4	INSULATOR	TEFLON NATURAL 1		
3	CONTACT PIN	BER. COPPER GOLD 1		
2	INSULATOR	TEFLON NATURAL 1		
1	HOUSING/BODY	BRASS GOLD 1		
DESCRIPTION	MATERIAL	FINISH QTY		
UNLESS OTHERWISE SPECIFIED DIMENSIONS ARE IN MILLIMETERS, DIMENSIONS IN [ ] ARE IN INCHES AND FOR CUSTOMER REFERENCE ONLY.				
UNLESS OTHERWISE SPECIFIED TOLERANCES FOR MILLIMETERS ARE: 0.5 - 8mm ± 0.20mm 8 - 30mm ± 0.40mm 30 - 120mm ± 0.50mm				
UNLESS OTHERWISE SPECIFIED TOLERANCES FOR INCHES ARE: .020 - .315 = ± 0.007" .315 - 1.180 = ± 0.015" 1.180 - 4.724 = ± 0.020"				
DO NOT SCALE DRAWING				
APPROVALS	DATE	<h1 style="color: blue; margin: 0;">Amphenol Connex</h1> <p style="text-align: center; margin: 10px 0;">PART DESCRIPTION</p> <h2 style="text-align: center; margin: 0;">SMA R/A P.C. MOUNT JACK</h2> <p style="text-align: center; margin: 10px 0;">PART NO.</p> <h3 style="text-align: center; margin: 0;">132136</h3>		
DRAWN G.R.S.	02/04/03			
CHECKED				
ISSUED				
SHEET 1 OF 1				
DWG. NO.	132136.DWG	REV. B	SIZE A	SCALE NA