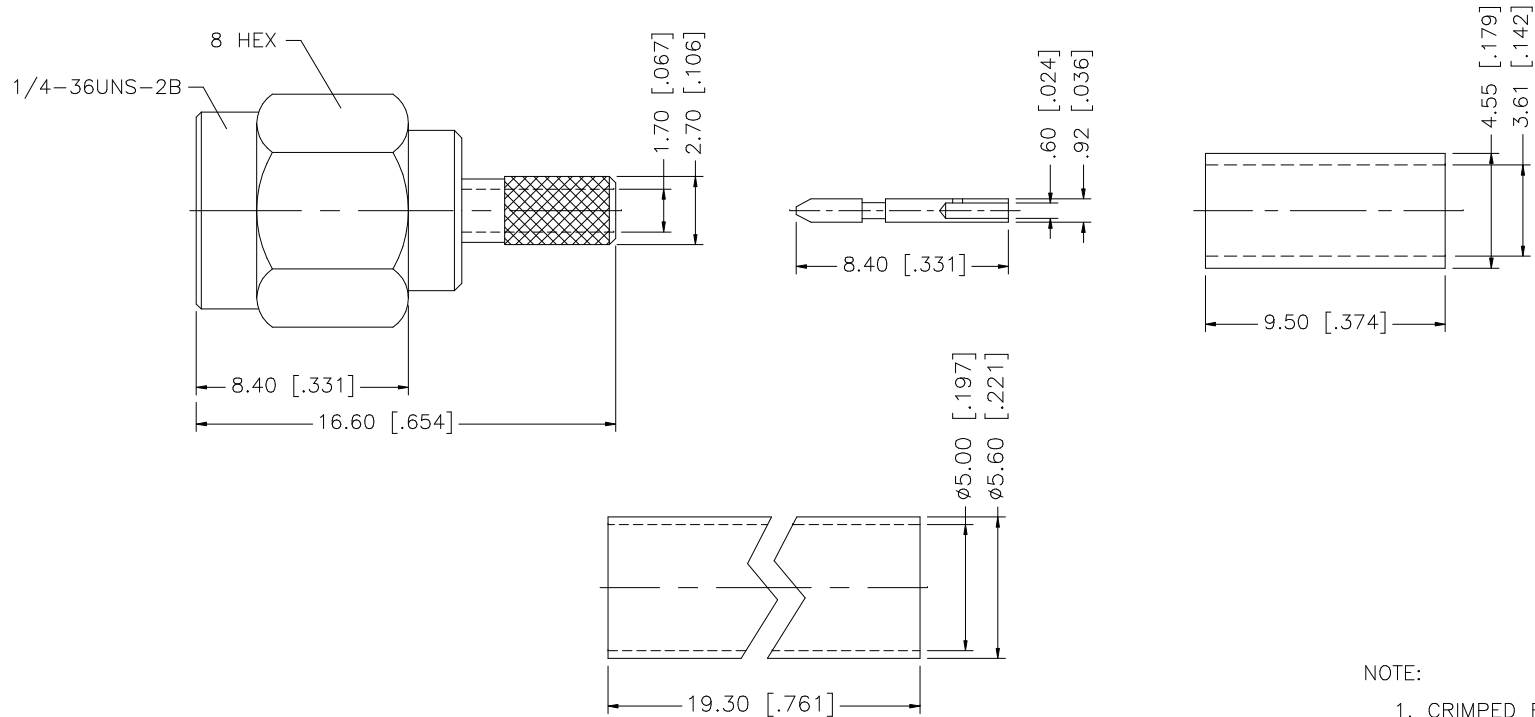
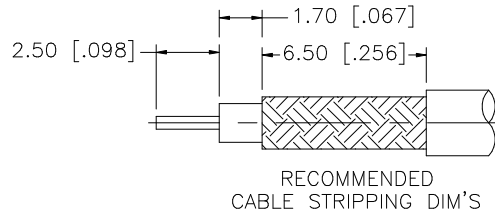


REV.	DATE	DESCRIPTION
D	11/08/99	UPDATE STRIPPING DIM'S
E	01/23/03	REFORMAT DRAWING/ UPDATE FERRULE DIMS



- NOTE:
1. CRIMPED FERRULE
HEX CRIMP SIZE .151"
 2. CONTACT PIN TO SOLDER

				UNLESS OTHERWISE SPECIFIED DIMENSIONS ARE IN MILLIMETERS. DIMENSIONS IN [] ARE IN INCHES AND FOR CUSTOMER REFERENCE ONLY.	APPROVALS	DATE	Amphenol Connex				
8					DRAWN	G.R.S.					01/23/03
7	HEAT SHRINK TUBE			1	CHECKED			PART NO. 132178			
6	FERRULE	COPPER	GOLD	1	ISSUED						
5	CONTACT PIN	BRASS	GOLD	1	SHEET	1 OF 1		CAD FILE C:/132/132178.DWG			
4	GASKET	SILICONE	RED	1							
3	RETAINER RING	BER. COPPER	NATURAL	1							
2	INSULATOR	TEFLON	NATURAL	1							
1	SHELL/BODY	BRASS	GOLD	1							
	DESCRIPTION	MATERIAL	FINISH	QTY							

UNLESS OTHERWISE SPECIFIED DIMENSIONS ARE IN MILLIMETERS. DIMENSIONS IN [] ARE IN INCHES AND FOR CUSTOMER REFERENCE ONLY.

UNLESS OTHERWISE SPECIFIED TOLERANCES FOR MILLIMETERS ARE:
0.5 - 8mm ± 0.20mm
8 - 30mm ± 0.40mm
30 - 120mm ± 0.50mm

UNLESS OTHERWISE SPECIFIED TOLERANCES FOR INCHES ARE:
.020 - .315 = ± 0.007"
.315 - 1.180 = ± 0.015"
1.180 - 4.724 = ± 0.020"