

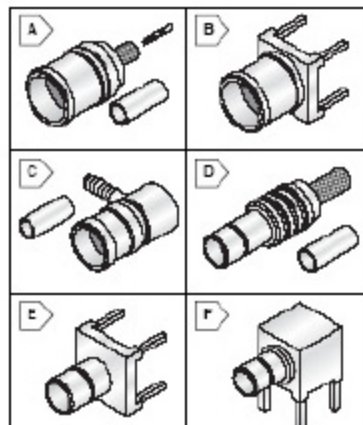
MINI SMB 75 OHM CONNECTORS

SMB connectors feature quick connect/disconnect snap-in mating. Mini 75 ohm connectors are matched impedance SMB connectors to be used with 75 ohm miniature coax cables. The connectors are the same size as, and interchangeable with, standard 50 ohm connectors.

- Impedance: 75 ohm
- Finish: Gold, unless part number is noted with * = Nickel
- Frequency range: 0-4 GHz
- Body Material: Brass
- Center Contact: 30µm Gold
- Insulation: Teflon

For quantities of 500 and up, call for quote.

MOUSER STOCK NO.	Amphenol Part No.	Fig.	Description	Cable	Crimp Tool	Price Each				
						1	10	25	100	250
523-142186-75	142186-75	A	Straight Crimp Plug	179/U	47-10120	4.65	3.90	3.70	3.24	2.99
523-142187-75	142187-75	A	Straight Crimp Plug	179 Double Braid	47-10160	4.65	3.90	3.70	3.24	2.99
523-142134-75	142134-75	B	Vertical Plug for PC Board	---	---	4.32	3.68	3.48	3.09	2.84
523-142184-75	142184-75	C	Right Angle Cable Plug	179/U	47-10120	5.26	4.48	4.24	3.72	3.45
523-142176-75	142176-75	C	Right Angle Cable Plug	179 Double Braid	47-10160	5.26	4.48	4.24	3.72	3.45
523-142189-75	142189-75	D	Straight Crimp Jack	179/U	47-10120	3.13	2.66	2.52	2.21	2.05
523-142136-75	142136-75	E	Vertical Jack for PC Board	---	---	2.90	1.96	1.86	1.63	1.51
523-142146-75	142146-75	F	Right Angle Jack for PC Board	---	---	3.66	3.37	3.19	2.80	2.60
523-142179-75	142179-75*	G	Bulkhead Feedthrough Cable JK	179/U	47-10120	3.99	2.88	2.73	2.40	2.23



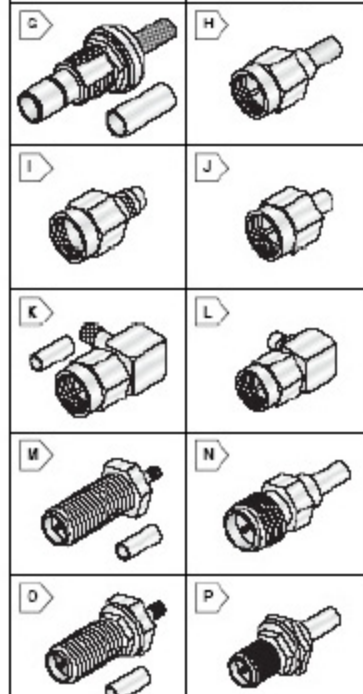
SMA SERIES FOR LMR AND SEMI-RIGID CABLES

These SMA connectors offer a compact size and mechanically give outstanding durability.

- Impedance: 50 ohm
- Finish: Gold
- Frequency Range: 0-16GHz (semi-rigid); 0-12.4GHz (flexible cable)
- Body Material: Brass
- Center Contact: Gold
- Insulation: Teflon

For quantities of 500 and up, call for quote.

MOUSER STOCK NO.	Amphenol Part No.	Fig.	Description	Cable	Crimp Tool	Price Each				
						1	10	25	100	250
523-132114	132114	H	Straight Crimp Plug	LMR100/RG316/U	47-10120	2.82	2.36	2.12	1.85	1.85
523-132113	132113	H	Straight Crimp Plug	LMR195/RG58/U	47-10070	2.62	2.36	2.12	1.85	1.85
523-132234	132234	H	Straight Crimp Plug	LMR200	47-10070	3.02	2.71	2.44	2.25	2.13
523-132231	132231	H	Straight Crimp Plug	LMR 240/0X	47-10070	4.32	3.68	3.49	3.22	3.00
523-132298	132298	H	Straight Crimp Plug	LMR 400/B9913	47-10210	5.51	4.95	4.48	4.09	3.89
523-132100	132100	I	Straight Solder Plug (no contact)	.141 Semi-Rigid	---	1.24	1.11	.89	.80	.80
523-132102	132102	J	Straight Solder Plug (w/contact)	.141 Semi-Rigid	---	2.26	2.03	1.83	1.68	1.59
523-132101	132101	J	Straight Solder Plug	.085 Semi-Rigid	---	2.26	2.09	1.89	1.68	1.69
523-132249	132249	J	Straight Solder Plug	.047 Semi-Rigid	---	3.11	2.79	2.51	2.31	2.19
523-132296	132296	J	Straight Solder Plug	.250 Semi-Rigid	---	4.14	3.73	3.35	3.08	2.93
523-132123	132123	K	Right Angle Crimp Plug	LMR 100/RG316/U	47-10120	4.74	4.27	3.84	3.53	3.35
523-132122	132122	K	Right Angle Crimp Plug	LMR 195/RG58/U	47-10070	5.28	4.76	4.28	3.83	3.74
523-132235	132235	K	Right Angle Crimp Plug	LMR 200	47-10070	4.91	4.41	3.98	3.65	3.48
523-132239	132239	K	Right Angle Crimp Plug	LMR 240/0X	47-10070	6.22	5.59	5.04	4.04	4.41
523-132299	132299	K	Right Angle Crimp Plug	LMR 400/B9913	47-10210	5.51	4.95	4.48	4.09	3.89
523-132112	132112	L	Right Angle Solder Plug	.141 Semi-Rigid	---	4.14	3.72	3.35	3.00	2.93
523-132111	132111	L	Right Angle Solder Plug	.085 Semi-Rigid	---	4.14	3.72	3.35	3.09	2.93
523-132344	132344	L	Right Angle Solder Plug	.250 Semi-Rigid	---	4.58	4.10	3.69	3.36	3.23
523-132117	132117	M	Straight Crimp Jack	LMR 100/RG316/U	47-10120	3.90	3.51	3.18	2.81	2.78
523-132116	132116	M	Straight Crimp Jack	LMR 195/RG58/U	47-10070	3.90	3.51	3.18	2.81	2.78
523-132236	132236	M	Straight Crimp Jack	LMR 200	47-10070	3.90	3.51	3.18	2.81	2.78
523-132240	132240	M	Straight Crimp Jack	LMR 240	47-10070	3.90	3.51	3.18	2.81	2.78
523-132332	132332	M	Straight Crimp Jack	LMR 400/B9913	47-10210	6.48	5.83	5.24	4.83	4.58
523-132104	132104	N	Straight Solder Jack	.141 Semi-Rigid	---	2.28	2.05	1.84	1.69	1.60
523-132103	132103	N	Straight Solder Jack	.085 Semi-Rigid	---	2.34	2.11	1.89	1.74	1.65
523-132345	132345	N	Straight Solder Jack	.250 Semi-Rigid	---	3.32	2.98	2.67	2.48	2.35
523-132119	132119	O	Bulkhead Crimp Jack	LMR100/RG316/U	47-10120	4.31	3.87	3.48	3.20	3.04
523-132118	132118	O	Bulkhead Crimp Jack	LMR195/RG58/U	47-10070	4.08	3.85	3.29	3.03	2.87
523-132237	132237	O	Bulkhead Crimp Jack	LMR200	47-10070	4.80	4.32	3.88	3.57	3.39
523-132241	132241	O	Bulkhead Crimp Jack	LMR240/0X	47-10070	4.24	3.82	3.43	3.16	2.99
523-132333	132333	O	Bulkhead Crimp Jack	LMR 400	47-10210	6.84	6.15	5.54	5.09	4.84
523-132106	132106	P	Bulkhead Solder Jack, feedthru	.141 Semi-Rigid	---	4.72	4.24	3.82	3.51	3.34
523-132105	132105	P	Bulkhead Solder Jack, feedthru	.085 Semi-Rigid	---	4.22	3.79	3.42	3.14	2.88
523-132346	132346	P	Bulkhead Solder Jack, feedthru	.250 Semi-Rigid	---	3.92	3.53	3.17	2.92	2.77



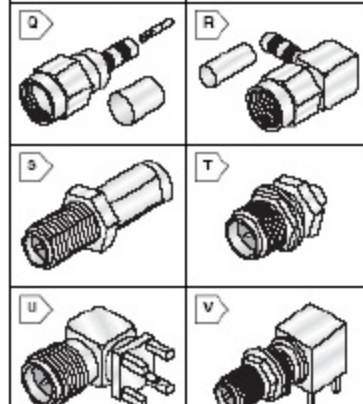
REVERSE POLARITY SMA CONNECTORS

Reverse Polarity connectors employ female contacts in the plug connector and male contacts in the jack connector. SMA-RP will not mate with standard SMA Connectors.

- Impedance: 50 ohm
- Body Material: Brass
- Frequency Range: 0-6 GHz
- Finish: Gold

For quantities of 500 and up, call for quote.

MOUSER STOCK NO.	Amphenol Part No.	Fig.	Description	Cable	Crimp Tool	Price Each				
						1	10	25	100	250
523-132114RP	132114RP	Q	Straight Crimp Plug	LMR100/RG316, 174	47-10070	4.74	4.60	4.27	3.78	3.82
523-132113RP	132113RP	Q	Straight Crimp Plug	LMR195/RG58	47-10120	3.78	3.59	3.40	3.02	2.85
523-132105RP	132105RP	Q	Straight Crimp Plug	RG223, 142	47-10070	3.44	3.27	3.10	2.75	2.41
523-132231RP	132231RP	Q	Straight Crimp Plug	LMR 240 / RG6X	47-10070	5.98	5.68	5.38	4.78	4.19
523-132122RP	132122RP	R	Right Angle Crimp Plug	LMR 195 / RG58	47-10070	5.14	4.88	4.63	4.11	3.80
523-132123RP	132123RP	R	Right Angle Crimp Plug	LMR100/RG316, 174	47-10120	5.14	4.88	4.63	4.11	3.60
523-132116RP	132116RP	S	Straight Crimp Jack	LMR 195 / RG58	47-10070	3.30	3.14	2.97	2.64	2.31
523-132117RP	132117RP	S	Straight Crimp Jack	LMR100/ RG316, 174	47-10120	3.30	3.14	2.97	2.64	2.31
523-132118RP	132118RP	T	Bulkhead Crimp Jack	LMR 195 / RG58	47-10070	4.14	3.93	3.73	3.31	2.90
523-132119RP	132119RP	T	Bulkhead Crimp Jack	LMR100/ RG316, 174	47-10120	3.92	3.72	3.53	3.14	2.74
523-132220RP	132220RP	T	Bulkhead Crimp Jack	RG178, 196	47-10120	4.84	4.60	4.36	3.87	3.30
523-132136RP	132136RP	U	Right Angle Jack for PC Board	---	---	5.58	5.30	5.02	4.46	3.91
523-132030RP	132030RP	V	Right Angle Bulkhead PCB Jack	---	---	7.08	6.71	6.35	5.65	4.84
523-132255RP	132255RP	W	Edge Mount PCB Jack, .062 Bids	---	---	4.70	4.47	4.23	3.76	3.29



CRIMP TOOLS WITH DIE SETS

MOUSER STOCK NO.	Amphenol Part No.	Fig.	Cable Groups	Die Cavities	Price Each	
					1	5
523-47-10180	47-10180	X	RG 174/ 188/ 316/ 179/ 187/ 180/ 195/ 178/ 196	.178 / .128 / .068	48.00	45.00
523-47-10070	47-10070	X	RG 25/ 28/ 59/ 62/ 141/ 142/ 223/ 303/ 400	.255 / .213 / .068	48.00	45.00
523-47-10160	47-10160	X	.151 HEX 316/ 179/ Double Braid	.151 / .178 / .213	48.00	45.00
523-47-10210	47-10210	X	LMR 400/89913/B9914/B7610	.429 / .118	48.00	45.00

