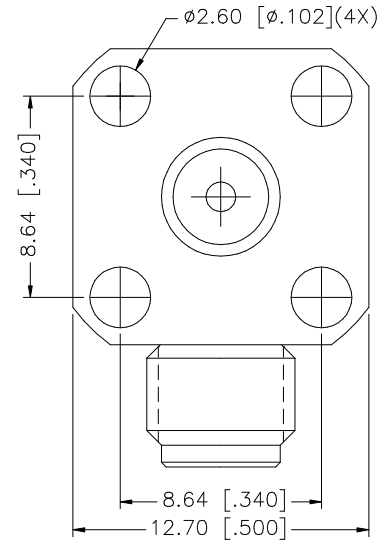
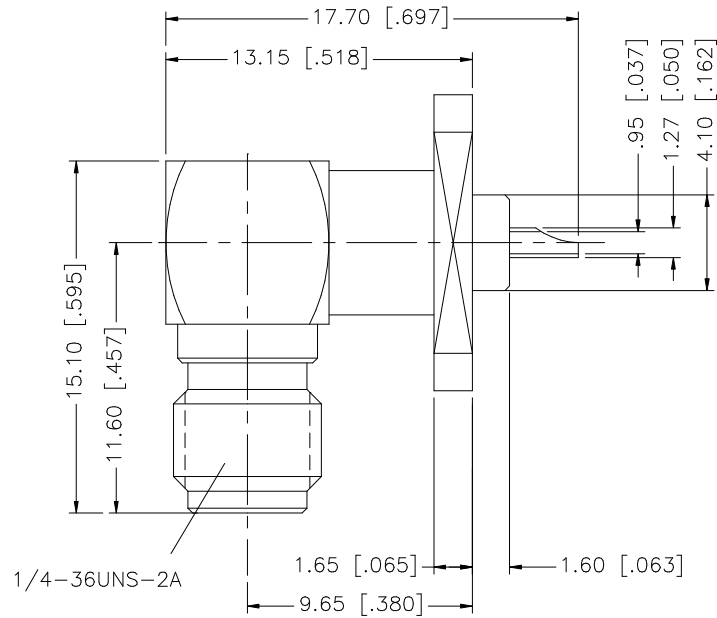


REV.	DATE	DESCRIPTION
NC	06/01/99	INITIAL RELEASE
A	04/29/07	UPDATE DRAWING FORMAT



8				
7				
6	COVER	BRASS	GOLD	1
5	RING	BRASS	GOLD	1
4	CONTACT PIN	BRASS	GOLD	1
3	INSULATOR	TEFLON	NATURAL	1
2	CONTACT PIN	BER. COPPER	GOLD	1
1	BODY	BRASS	GOLD	1
	DESCRIPTION	MATERIAL	FINISH	QTY

UNLESS OTHERWISE SPECIFIED DIMENSIONS ARE IN MILLIMETERS. DIMENSIONS IN [ ] ARE IN INCHES AND FOR CUSTOMER REFERENCE ONLY.

UNLESS OTHERWISE SPECIFIED TOLERANCES FOR MILLIMETERS ARE:  
0.5 - 8mm  $\pm$  0.20mm  
8 - 30mm  $\pm$  0.40mm  
30 - 120mm  $\pm$  0.50mm

UNLESS OTHERWISE SPECIFIED TOLERANCES FOR INCHES ARE:  
.020 - .315  $\pm$  0.007"  
.315 - 1.180  $\pm$  0.015"  
1.180 - 4.724  $\pm$  0.020"

DO NOT SCALE DRAWING

APPROVALS	DATE
DRAWN G.R.S.	04/29/07
CHECKED	
ISSUED	
SHEET 1 OF 1	
CAD FILE	C:/132/132267.DWG

# Amphenol Connex

PART DESCRIPTION

SMA R/A PANEL ADAPTER

PART NO.

132267

DWG. NO.

132267.DWG

REV. A

SIZE A

SCALE NA