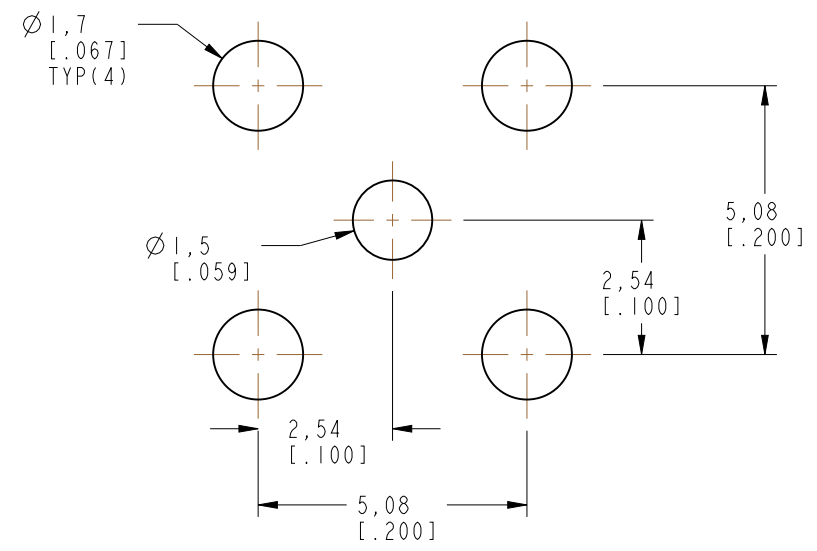


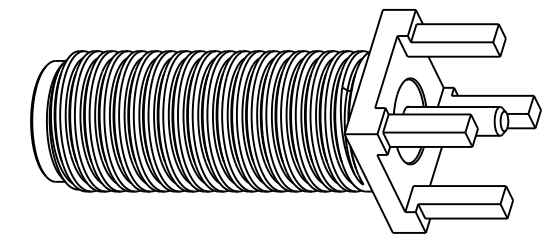
- NOTES:
- MATERIAL AND FINISH (PLATING THICKNESS IN MICRO-INCHES):
 BODY - BRASS, GOLD PLATING
 CONTACT - BRASS, GOLD PLATING
 INSULATOR - PTFE, NATURAL
 - ELECTRICAL:
 A, IMPEDANCE: 50 OHM
 B, FREQUENCY RANGE: 0-12.4 GHz
 C, DIELECTRIC WITHSTANDING VOLTAGE: 500 VRMS. MIN.
 - MECHANICAL
 A, DURABILITY: 500 CYCLES MIN.
 B, TEMPERATURE RANGE: -65°C TO +165°C

THIRD ANGLE PROJ.

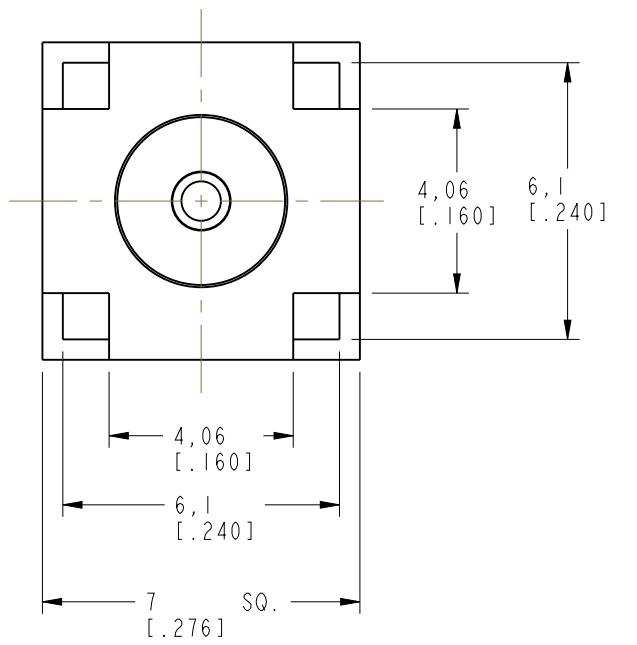
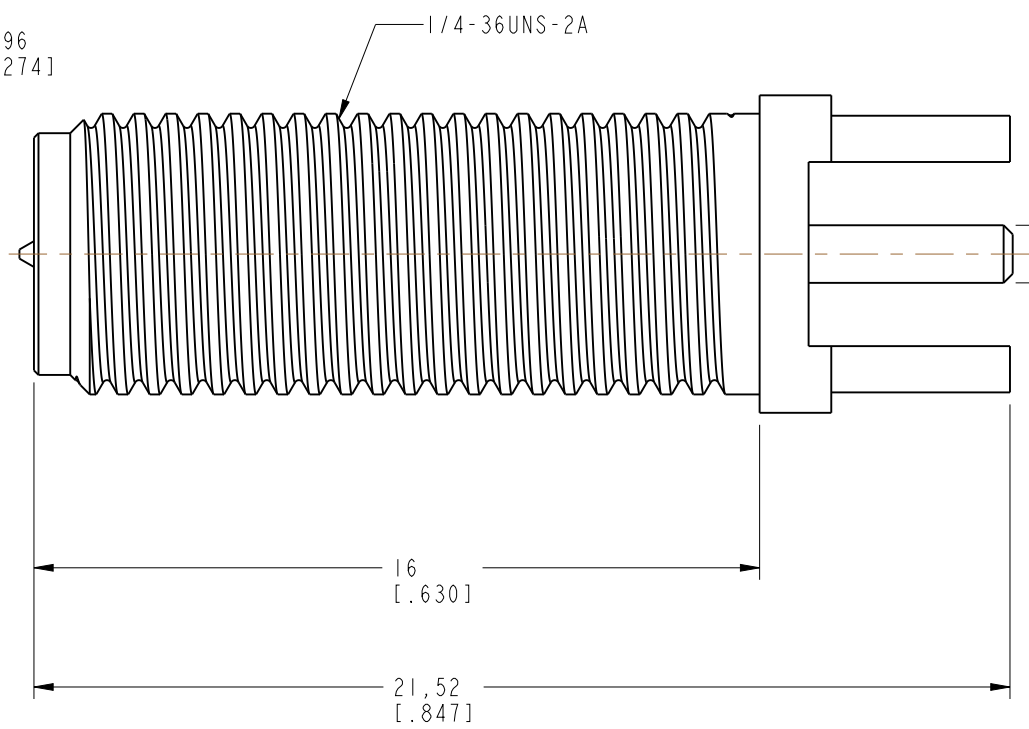
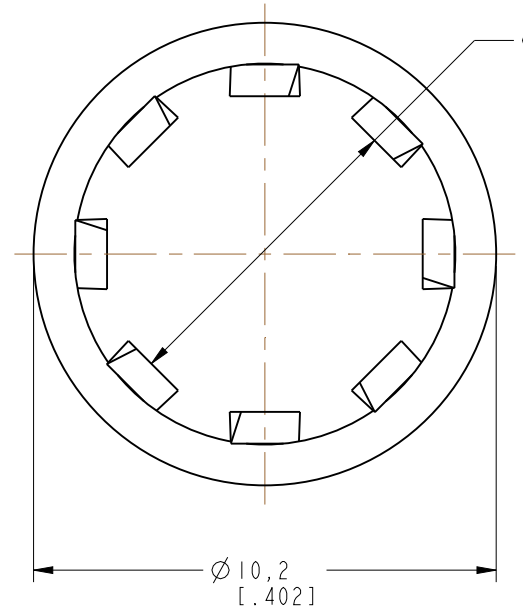
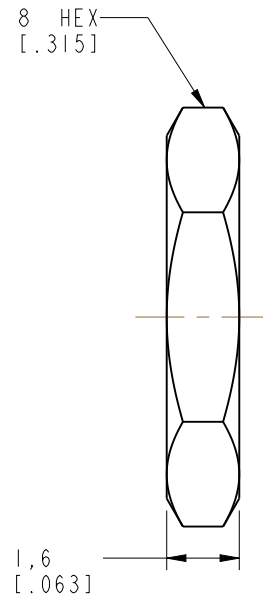
REVISIONS				
REV	DESCRIPTION	DATE	ECN	APPR
A	RELEASE TO MFG.			KEN
B	UPDATED FORMAT	04-Sep-19	12781	MRM



PCB MOUNTING HOLE



SCALE 3.000



CUSTOMER OUTLINE DRAWING
 ALL OTHER SHEETS ARE FOR INTERNAL USE ONLY

UNLESS OTHERWISE SPECIFIED, DIMENSIONS ARE IN METRIC AND TOLERANCES ARE: <0.5mm ±0.05mm 0.5 - 6mm ±0.1mm 6 - 30mm ±0.2mm 30 - 120mm ±0.3mm ANGLES ±1°	MATERIAL	DRAWN	DATE	TITLE	Amphenol RF www.amphenolrf.com
	SEE NOTE	W. ZENG	15-Aug-19		
NOTICE - These drawings, specifications, or other data (1) are, and remain the property of Amphenol corp. (2) must be returned upon request; and (3) are confidential and not to be disclosed to any person other than those to whom they are given by Amphenol Corp. the furnishing of these drawings, specifications, or other data by Amphenol Corp., or to any other person to anyone for any purpose is not to be regarded by implication or otherwise in any manner licensing, granting rights to permitting such holder or any other person to manufacture, use or sell any product, process or design, patented or otherwise, that may in any way be related to or disclosed by said drawings, specifications, or other data.	REFERENCE	ENGINEER	DATE	SCALE: 1.0:1.0	DRAWING NO. RSMA6251A1-015-3GT50G-50
	EAR#	W. ZENG	15-Aug-19		
REF:	APPROVED	DATE		DWG SIZE	REV
CONFIGURATION LEVEL: In Work				B	A
FINISH					ITEM NO. 616251AAH01GA5F
					PART NO. 132291RP