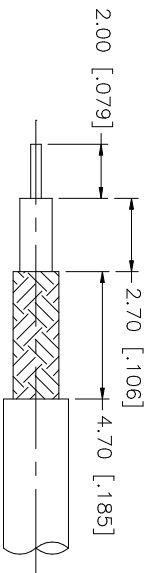
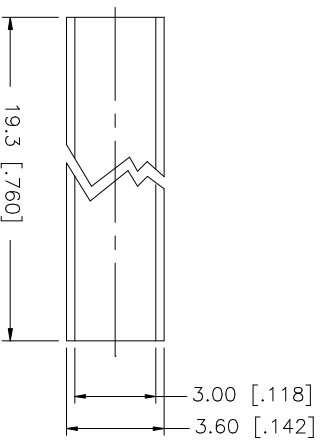
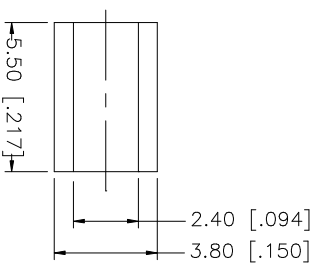
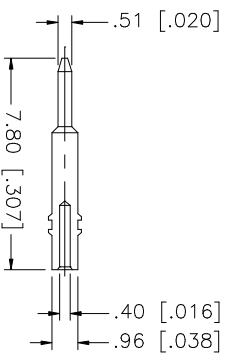
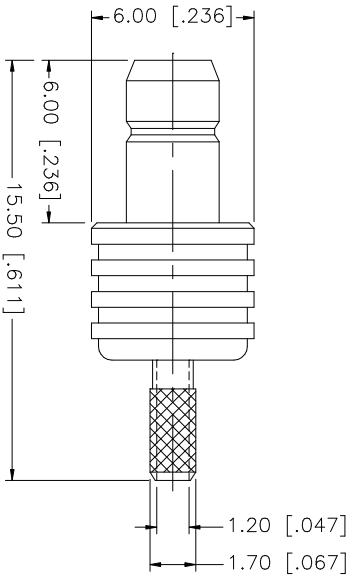


REV.	DATE	DESCRIPTION
NC	08/01/05	INITIAL RELEASE
A	06/01/06	MODIFY STRIPPING DIMENSIONS



RECOMMENDED  
CABLE STRIPPING DIM'S



NOTE:

1. CRIMPED FERRULE  
HEX CRIMP SIZE .128"

QTY	DESCRIPTION	MATERIAL	FINISH	DO NOT SCALE DRAWING	APPROVALS	DATE	PART DESCRIPTION
1	HEAT SHRINK TUBE				DRAWN	06/01/06	<b>Amphenol Connex</b> SMB CRIMP JACK (FOR RG-178B/U, 196A/U CABLE)
1	FERRULE	COPPER	GOLD		CHECKED		
1	CONTACT PIN	BRASS	GOLD		ISSUED		
1	INSULATOR	TEFLON	NATURAL		SHEET	1 OF 1	
1	BODY	BRASS	GOLD				PART NO. 142241
	DESCRIPTION	MATERIAL	FINISH	QTY	CAD FILE C:/142/142241.DWG		DWG. NO. 142241.DWG
							REV. A
							SIZE A
							SCALE NA

UNLESS OTHERWISE SPECIFIED DIMENSIONS ARE IN MILLIMETERS DIMENSIONS IN INCHES ARE IN INCHES AND FOR CUSTOMER REFERENCE ONLY.

UNLESS OTHERWISE SPECIFIED TOLERANCES FOR MILLIMETERS ARE:

0.5 - 8mm ± 0.20mm  
8 - 30mm ± 0.40mm  
30 - 120mm ± 0.50mm

UNLESS OTHERWISE SPECIFIED TOLERANCES FOR INCHES ARE:

.020 - .315 = ± 0.007"  
.315 - 1.180 = ± 0.015"  
1.180 - 4.724 = ± 0.020"