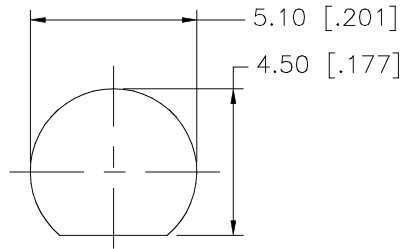
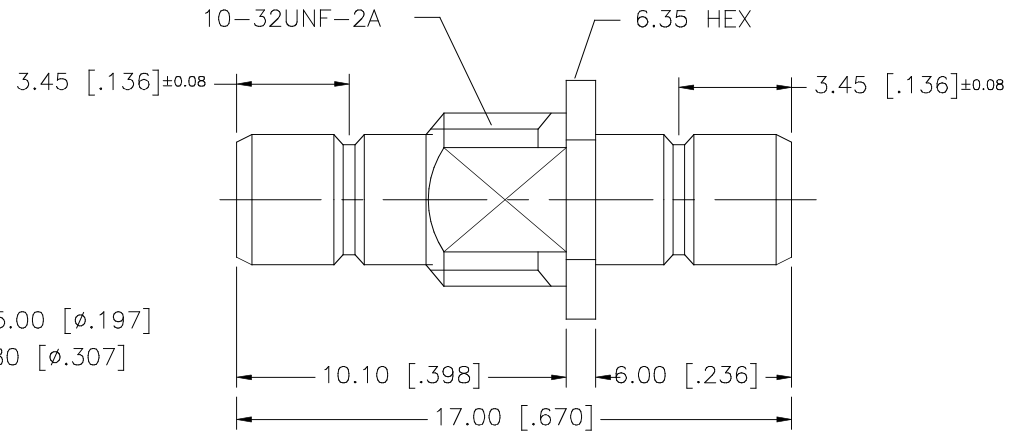
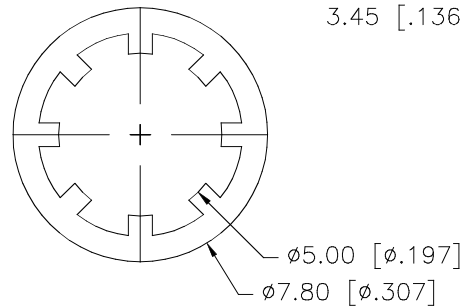
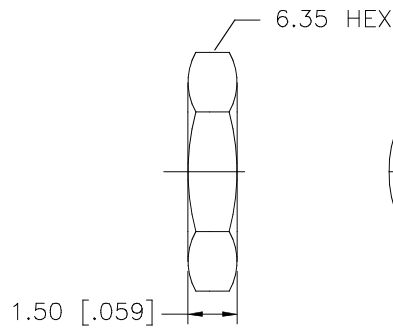


REV.	DATE	DESCRIPTION
A	04/25/04	MODIFY PART DESCRIPTION - UPDATE DRAWING FORMAT



RECOMMENDED MOUNTING HOLE



8				
7				
6				
5	HEX NUT	BRASS	NICKEL	1
4	LOCK WASHER	BRASS	NICKEL	1
3	CONTACT PIN	BRASS	GOLD	1
2	INSULATOR	TEFLON	NATURAL	1
1	HOUSING/BODY	BRASS	NICKEL	1
	DESCRIPTION	MATERIAL	FINISH	QTY

UNLESS OTHERWISE SPECIFIED DIMENSIONS ARE IN MILLIMETERS. DIMENSIONS IN [] ARE IN INCHES AND FOR CUSTOMER REFERENCE ONLY.

UNLESS OTHERWISE SPECIFIED TOLERANCES FOR MILLIMETERS ARE:
0.5 - 8mm ± 0.20mm
8 - 30mm ± 0.40mm
30 - 120mm ± 0.50mm

UNLESS OTHERWISE SPECIFIED TOLERANCES FOR INCHES ARE:
.020 - .315 = ± 0.007"
.315 - 1.180 = ± 0.015"
1.180 - 4.724 = ± 0.020"

DO NOT SCALE DRAWING

APPROVALS	DATE
DRAWN G.R.S.	05/25/04
CHECKED	
ISSUED	
SHEET 1 OF 1	
CAD FILE C:/142/142249-75.DWG	

Amphenol Connex

PART DESCRIPTION	MINI 75 OHM SMB BULKHEAD JACK TO JACK ADAPTER			
PART NO.	142249-75			
DWG. NO.	142249-75.DWG	REV.	A	SCALE NA

Amphenol Connex

Adapters

Amphenol Connex
5069 Maureen Lane, Unit B
Moorpark, CA 93021 USA

New

FEATURES & BENEFITS:

- High Quality
- Wide Selection
- Low Cost

APPLICATIONS:

- Instrumentation
- Military-Aerospace
- Broadband
- RFID
- Telecommunication

800.942.6639
www.amphenolconnex.com

7/16 & N Adapter Kit
P/N 312100 • Call for Details

QUALITY COAXIAL ADAPTERS



Amphenol Connex

Coaxial Adapters

		MMCX		MCX		SMA		SMB		SMC		Mini-UHF		F		BNC		TNC		UHF		N		7/16		U.Fl.
		Plug	Jack	Plug	Jack	Plug	Jack	Plug	Jack	Plug	Jack	Plug	Jack	Plug	Jack	Plug	Jack	Plug	Jack	Plug	Jack	Plug	Jack	Plug	Jack	Jack
MMCX	Plug	262132				242142	242141																242169	242167		
	Jack	262136	262129			242140	242142																242166	242168		242225
	Bulkhead Jack		262130																							
MCX	Plug				252169	242128	242127																242173	242171		
	Jack				252171	242126	242129																242170	242172		
SMA	Plug	242142	242140	242128	242126	132168 132339 R/A	132171	242146	242144	242177	242174	242118	242116			242104	242102	242106	242124	242110	242108	242114	242112			242212
	Jack	242141	242143	242127	242129	132171 132172 R/A	132169 132274 R/A	242145	242147	242175	242176	242117	242119			242103	242123	242105	242107	242109	242111	242113	242115			
	Bulkhead Jack	242193					132170 132170-10		242182								242227									272188
SMB	Plug					242146	242145	142246	142310																	
	Jack					242144	242147	142310	142244																	
Bulkhead Jack																										
SMC	Plug					242177	242175																			
	Jack					242174	242176			252141																
	Bulkhead Jack										252145															
Mini-UHF	Plug					242118	242117																			
	Jack					242116	242119																			
F	Plug														222156	222157 Push-on 222122 R/A								242157	242152	
	Jack							242223	242224						22157 Push-on 222122 R/A		242154	242161						242156 242158 R/A	242120	
	Bulkhead Jack															222121										
BNC	Plug			242205	242203	242104	242103	242187	242184						242160	242154	112447 50Ω 112448 75Ω 112655 50Ω R/A	112667 50Ω 112668 75Ω	242151	242148	242139	242134	242122	242101		
	Jack			242204	242206	242102	242123	242185	242186					242159	242161	112451 50Ω 112452 75Ω	112445 50Ω 12446 75Ω	242149	242150	242164 242232 R/A	242165	242121	242100			
	Bulkhead Jack																112433 50Ω 112434 75Ω									242162
	Panel Jack																									
TNC	Plug			242210	242208	242106	242105					242197					242151	242149	122350 50Ω 122351 75Ω	122352 50Ω R/A 122353 75Ω R/A			242133	242131		
	Jack			242209		242124	242107										242148	242150	122352 50Ω R/A 122353 75Ω R/A	122348 50Ω 122349 75Ω			242130	242132		
	Bulkhead Jack						242178													122342 50Ω 122343 75Ω						242192
UHF	Plug					242110	242109										242139	242164								
	Jack					242108	242111										242134	242165								
	Bulkhead Jack																					182134 R/A				
N	Plug	242169	242166	242173	242170	242114	242113							242157	242156 242158 R/A	242122	242121	242133	242130			242155	172122 172261 R/A	172276 172126 R/A	242138	242135
	Jack	242167	242168	242171	242172	242112	242115							242152	242120	242101	242100	242131	242132				172276 172126 R/A	172123	242136	242137
	Bulkhead Jack						242125		242183														172336	172124		272183
	Panel Jack						242163		242198															172278		
7/16	Plug																						242138	242136	272134	272150 R/A
	Jack																						242135	242137	272150 R/A	272135
Bulkhead Jack																										
1.0/2.3	Plug																									242217
	Jack																									242218
	Bulkhead Jack																									
																										242229-75 75Ω



Standard RF Connectors

- BNC
- SMA
- N Type
- MMCX
- MCX and many more...



RF Cable Assemblies

- Standard Flexible Cables
- Semi-Rigid Cables
- Corrugated Cables

Amphenol Connex
800.942.6639
www.amphenolconnex.com

Reverse Polarity and Reverse Threaded options available

Need an adapter that's not listed? Contact us toll-free.