

SMB/SMC COAXIAL CONNECTORS

All bodies, unless otherwise noted, are machined brass, gold plated 3µ".

All insulators are teflon.

All center contacts are 30µ" gold plated.

All dimensions in millimeters and [inches].

142XXX designates SMB part numbers.

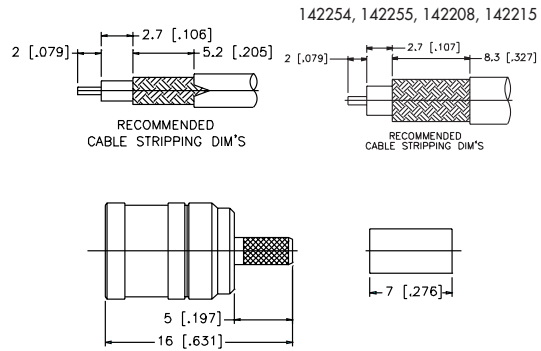
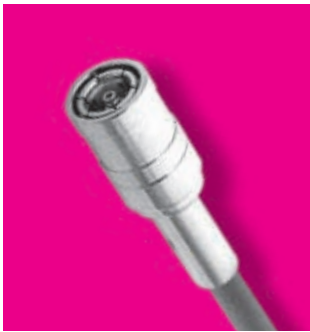
152XXX designates SMC part numbers.

C A B L E			G R O U P			L E G E N D		
01	58/ 58A/ 58C/ 141/ 303/ LMR195™/ B7806A	06A	179/ U DOUBLE BRAIDED	09	B8227/ 89207			
01A	55/ 142/ 223/ 400	07	8/ 8A/ 213/ 393	10	.141 SEMI-RIGID/ 402/U			
01B	LMR200™/ B7807A	07A	214	11	.085 SEMI-RIGID/ 405/U			
02	58 PLENUM/THINNET/ 122U/ B88240/ B89907	07B	8X/ LMR240™/ B7808A	12	.250 SEMI-RIGID			
03	59/ 62/ 140/ 210	07C	B9913/ LMR400™/ B7810A/ B8214	13	.047 SEMI-RIGID/ B1674A			
03A	59/ U-20AWG	07D	B89913	14	178/ 196			
04	59/ U PLENUM	07E	11	15	B8281/ B9231/ B9141			
04A	59/ U PLENUM-20AWG	07F	11/ U-14AWG/ B8213/ B9292/ B7731/ B1859A	15A	B88281			
05	174/ 188A/ 316/ B7805A	08	6/ 143/ 212	16	180/ 195/ 122/ B8218/ B1865A/ B1855			
05A	316/ U DOUBLE BRAIDED	08A	B1694A/ B9248	17	LMR600™			
06	179/ 187/ B9221	08B	6 PLENUM/ B1695A	18	AT&T734A/ B1505A			
				19	AT&T735A/ B735A1			

CRIMP ATTACHMENTS FOR FLEXIBLE & SEMI-RIGID CABLE

STRAIGHT CRIMP PLUG — FLEXIBLE CABLE

P.N.	Cable Group	Finish	Insulation	Impedance	Crimp Tool
SMB CONNECTORS					
142254	01	Nickel	Teflon	50	A
142255	01	Gold	Teflon	50	A
142219	01A	Nickel	Teflon	50	A
142220	01A	Gold	Teflon	50	A
142178	05	Nickel	Teflon	50	B
142101	06	Nickel	Teflon	75	B
142186	05	Gold	Teflon	50	B
142103	06	Gold	Teflon	75	B
142183	05A	Nickel	Teflon	50	C
142187	05A	Gold	Teflon	50	C
142228	14	Nickel	Teflon	50	B
142229	14	Gold	Teflon	50	B
142208	16	Gold	Teflon	75	B
142215	19	Gold	Teflon	75	B
142222-75					
	19	Gold	Teflon	75	B
	MINI 75 OHM				
SMC CONNECTORS					
152134	01	Gold	Teflon	50	A
152100	05	Nickel	Teflon	50	B
152101	05	Gold	Teflon	50	B
152132	05A	Gold	Teflon	50	C



STRAIGHT SOLDER PLUG — SEMI-RIGID CABLE

P.N.	Cable Group	Finish	Insulation	Impedance	Crimp Tool
SMB CONNECTORS					
142211	11	Nickel	Teflon	50	N/A
142212	11	Gold	Teflon	50	N/A
142224	13	Gold	Teflon	50	N/A
SMC CONNECTORS					
152135	11	Gold	Teflon	50	N/A

