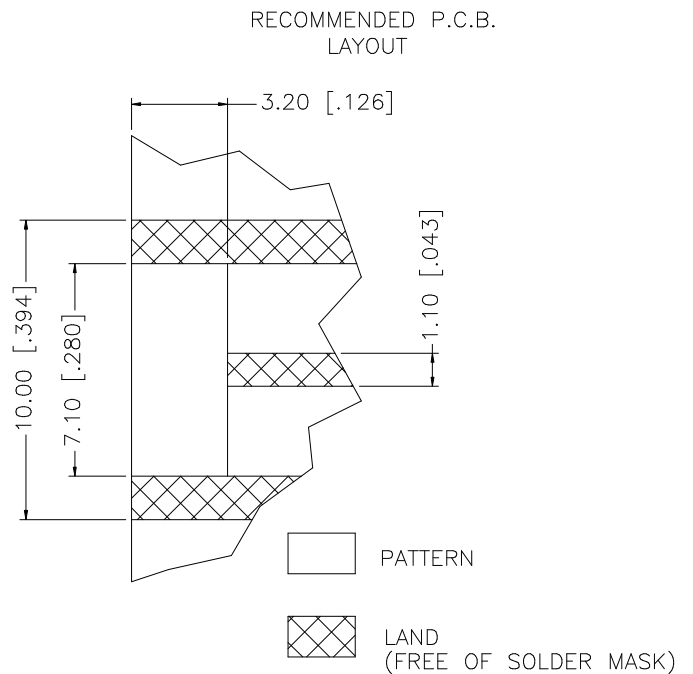
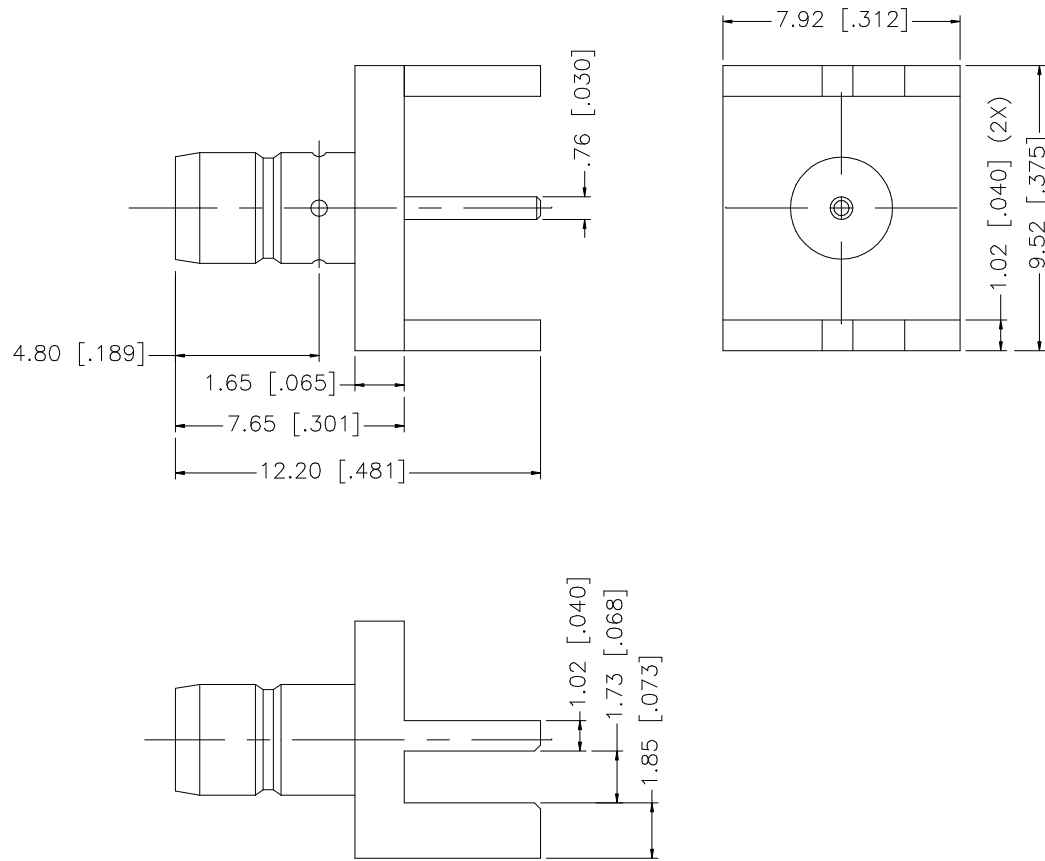


REV.	DATE	DESCRIPTION
NC	10/14/01	INITIAL RELEASE
A	06/30/05	UPDATE DRAWING FORMAT
B	09/18/05	ADD P.C.B. LAYOUT



8				
7				
6				
5				
4				
3	CONTACT PIN	BER. COPPER	GOLD	1
2	INSULATOR	TEFLON	NATURAL	1
1	BODY	BRASS	GOLD	1
DESCRIPTION	MATERIAL	FINISH	QTY	

UNLESS OTHERWISE SPECIFIED DIMENSIONS ARE IN MILLIMETERS. DIMENSIONS IN [ ] ARE IN INCHES AND FOR CUSTOMER REFERENCE ONLY.

UNLESS OTHERWISE SPECIFIED TOLERANCES FOR MILLIMETERS ARE:  
 0.5 - 8mm ± 0.20mm  
 8 - 30mm ± 0.40mm  
 30 - 120mm ± 0.50mm

UNLESS OTHERWISE SPECIFIED TOLERANCES FOR INCHES ARE:  
 .020 - .315 = ± 0.007"  
 .315 - 1.180 = ± 0.015"  
 1.180 - 4.724 = ± 0.020"

DO NOT SCALE DRAWING

APPROVALS	DATE
DRAWN G.R.S.	09/18/05
CHECKED	
ISSUED	
SHEET 1 OF 1	
CAD FILE	C:/142/142311.DWG

**Amphenol Connex**

PART DESCRIPTION  
**SMB END LAUNCH RECEPTACLE JACK**

PART NO.  
**142311**

DWG. NO.	142311.DWG	REV.	B	SIZE	A	SCALE	NA
----------	------------	------	---	------	---	-------	----