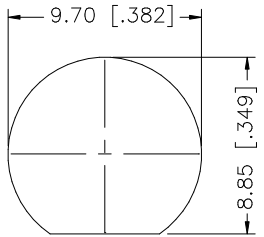
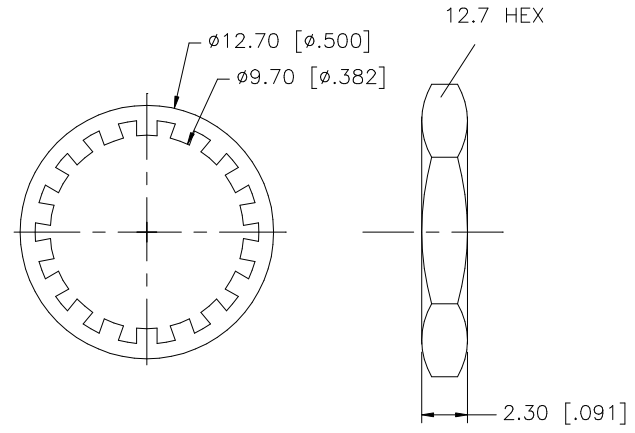
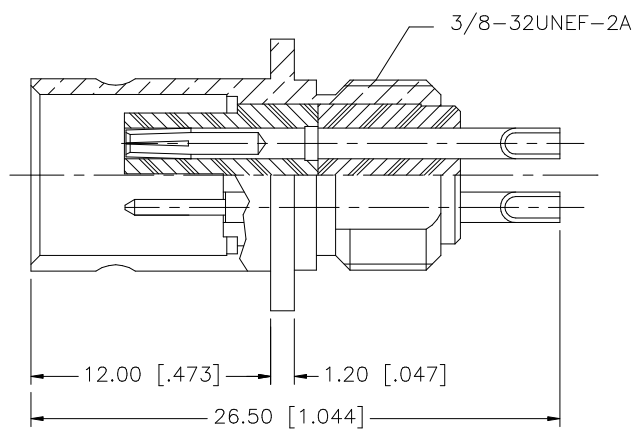
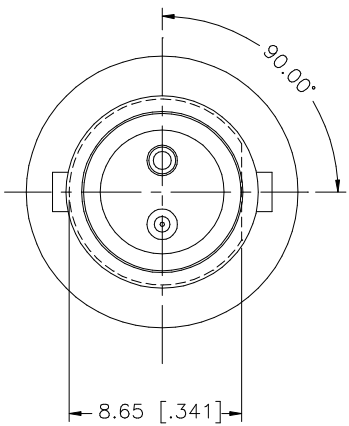


REV.	DATE	DESCRIPTION
NC	05/31/07	INITIAL RELEASE



RECOMMENDED MOUNTING HOLE



8				
7				
6	HEX NUT	BRASS	NICKEL	1
5	LOCK WASHER	BRASS	NICKEL	1
4	CONTACT PIN	PHOS. BRONZE	GOLD	1
3	CONTACT PIN	BRASS	GOLD	1
2	INSULATOR	PBT	WHITE	2
1	BODY	BRASS	NICKEL	1
	DESCRIPTION	MATERIAL	FINISH	QTY

UNLESS OTHERWISE SPECIFIED DIMENSIONS ARE IN MILLIMETERS. DIMENSIONS IN [ ] ARE IN INCHES AND FOR CUSTOMER REFERENCE ONLY.

UNLESS OTHERWISE SPECIFIED TOLERANCES FOR MILLIMETERS ARE:  
0.5 - 8mm ± 0.20mm  
8 - 30mm ± 0.40mm  
30 - 120mm ± 0.50mm

UNLESS OTHERWISE SPECIFIED TOLERANCES FOR INCHES ARE:  
.020 - .315 = ± 0.007"  
.315 - 1.180 = ± 0.015"  
1.180 - 4.724 = ± 0.020"

DO NOT SCALE DRAWING

APPROVALS	DATE
DRAWN G.R.S.	05/31/07
CHECKED	
ISSUED	
SHEET 1 OF 1	
CAD FILE C:/162/162109.DWG	

<b>Amphenol Connex</b>			
PART DESCRIPTION		BNC TWIN BULKHEAD RECEPT. JACK	
PART NO.		162109	
DWG. NO.	162109.DWG	REV. NC	SIZE A
			SCALE NA